

DESCRIPTION

- Fixed mount showerhead
- Finish identifiable by suffix
- 1/2" IPS connection
- Metal Shower Ball

OPERATION

- Six functions
- Rotate outer ring to select function

FLOW

- EP suffix models are designed to deliver 1.75 gpm (6.6 L/min) MAX at 80 psi
- 15EP suffix models are designed to deliver 1.5gpm (5.7 L/min) MAX at 80 psi

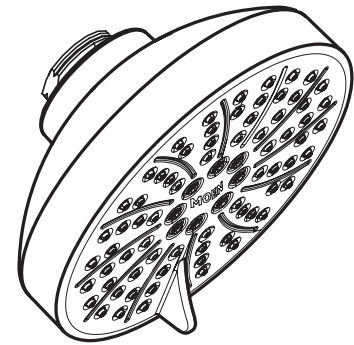
STANDARDS

- Third party certified at WaterSense®, ASME A112.18.1/CSA B125.1 and all applicable requirements referenced therein
- EP suffix models marked with 1.75gpm are compliant with California water efficiency regulations
- EP15 suffix models marked with 1.5gpm are compliant with California water efficiency regulations

WARRANTY

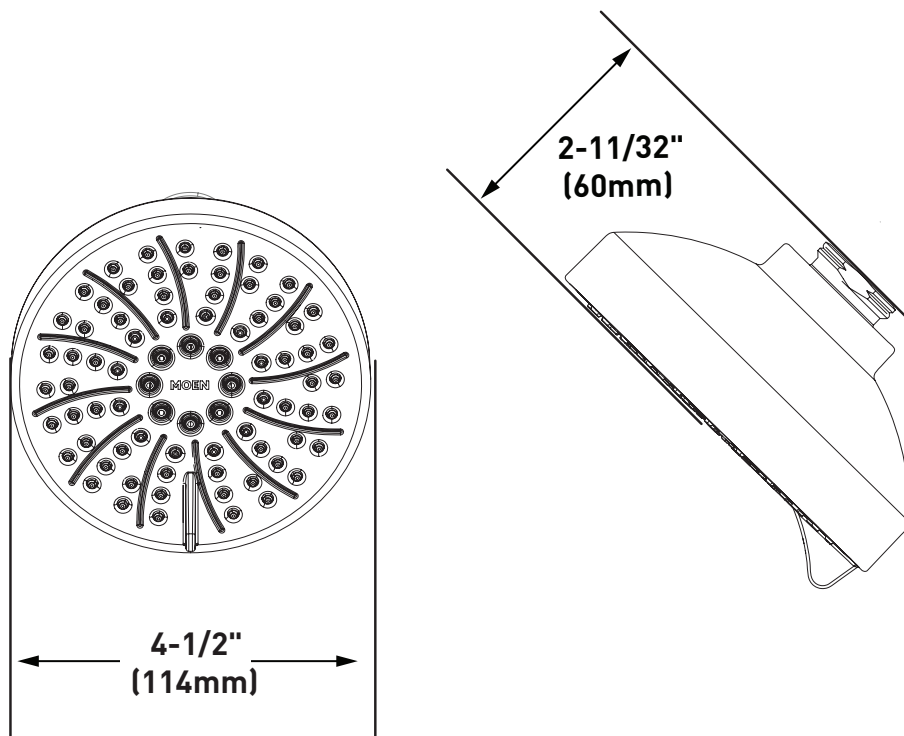
- Lifetime limited warranty against leaks, drips and finish defects to the original homeowner
- 10 year limited warranty when used in a multifamily installation
- 5 year limited warranty when used in a commercial installation

Visit www.moen.com/support for complete details and limitations



6-Function Eco-Performance Showerhead

MODELS: 6512EP Series



CRITICAL DIMENSIONS DO NOT SCALE