

MOEN® *The Chef* Series

Specifications

Disposal Description

- Part of the Moen Disposal Chef Series: for the strongest cleanup.
- 360° Clean Rinse design eliminates odors
- Features Motion Activated Lighting
- Fast Track™ enhanced features for faster installation
 - Simple Snap Tool quickly secures mounting assembly
 - Easy Open Dishwasher Inlet: no tools required
- 1 horsepower disposal provides fast, powerful grinding of everyday food scraps
- VORTEX™ motor provides fast, powerful grinding which helps reduce jamming
- Universal Xpress Mount™ fits all Moen and most existing 3-bolt mounting assemblies
- Pre-installed power cord - a savings over models where cord must be purchased separately, cord easily removes for optional hardwiring
- SoundSHIELD™ sound deadening insulation
- Compact design frees up valuable space under the sink
- Continuous feed with stainless steel grind components
- Manual Reset Button
- Garbage disposals reduce waste sent to landfills making it an eco-friendly option for your home

Included Components

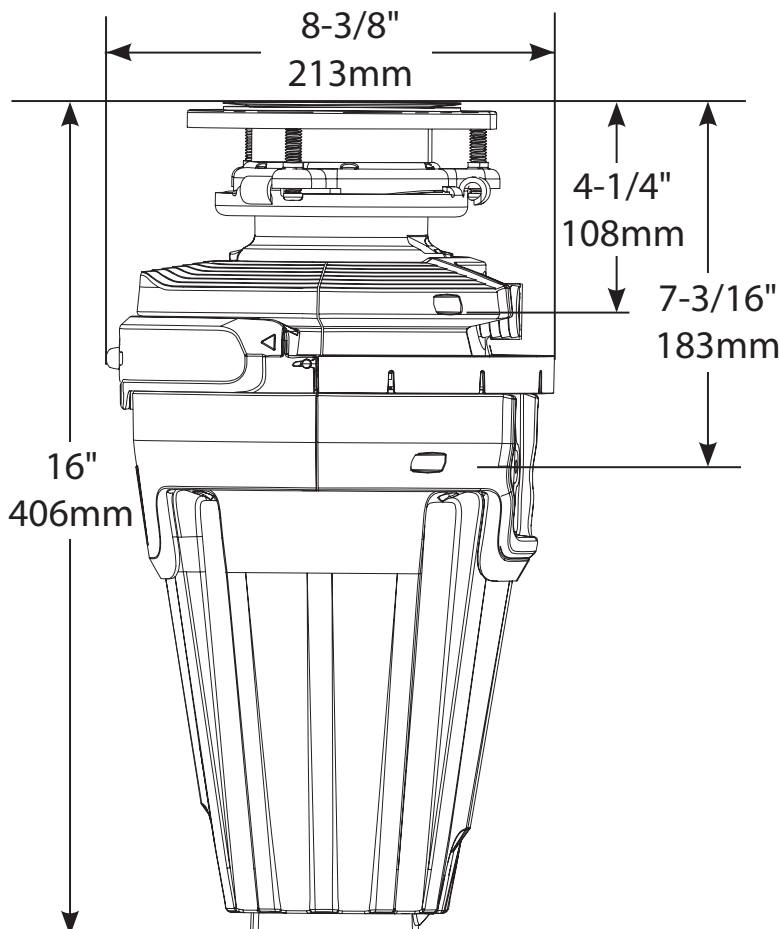
- EXL100c Disposal Unit with Universal Xpress Mount™
- Pre-installed Power Cord, Hardwire Capable
- Removable Splash Guard
- Drain Stopper and Stainless Steel Sink Flange
- Drain Elbow and Mounting Assembly
- Simple Snap Tool

Warranty & Assurance

- 10 year limited warranty with in-home service
- Safe for use with properly sized septic systems



Critical Dimensions



Model: EXL100c



Specification Detail	
Horsepower	1 HP
Feed Type	Continuous
On/Off Controls	Wall Switch
Motor Type	Permanent Magnet Motor
RPM (Revolutions Per Minute)	2800
Weight	14.8 lbs. / 6.71 kg
Volts	115
Hz/Amps	60/7.0
Drain Connection Size	1 1/2" / 38mm
Dishwasher Connection Size	7/8" / 22mm
Maximum Sink Thickness	1/2" / 13mm
Sink Drain Flange Finish	Polished Stainless Steel
Grind Ring Material	Stainless Steel
Turntable Assembly (Includes impellers)	Stainless Steel
Grind Chamber Material	Corrosion Proof Glass Filled Polyester and Nylon