

FAUCET DESCRIPTION

- Metal construction with various finishes identified by suffix
- Includes hot and cold temperature indicators
- Includes integral dual check valves for backflow prevention
- Single function handshower

OPERATION

- Lever style handle
- Temperature controlled by 110° arc of handle travel

FLOW

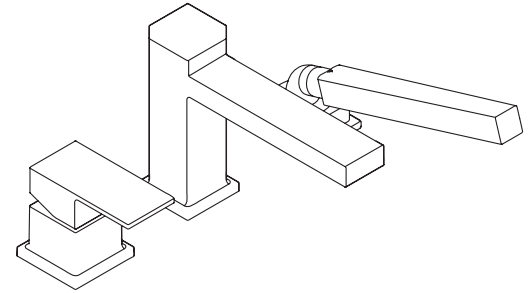
- Handshower designed to deliver 1.75 gpm max (6.6 L/min) at 80 psi

STANDARDS

- Third party certified to ASME A112.18.1/ CSA B-125.1 and all applicable requirements referenced therein
- Meets WaterSense® criteria
- **ADA** ♿ for lever handle

WARRANTY

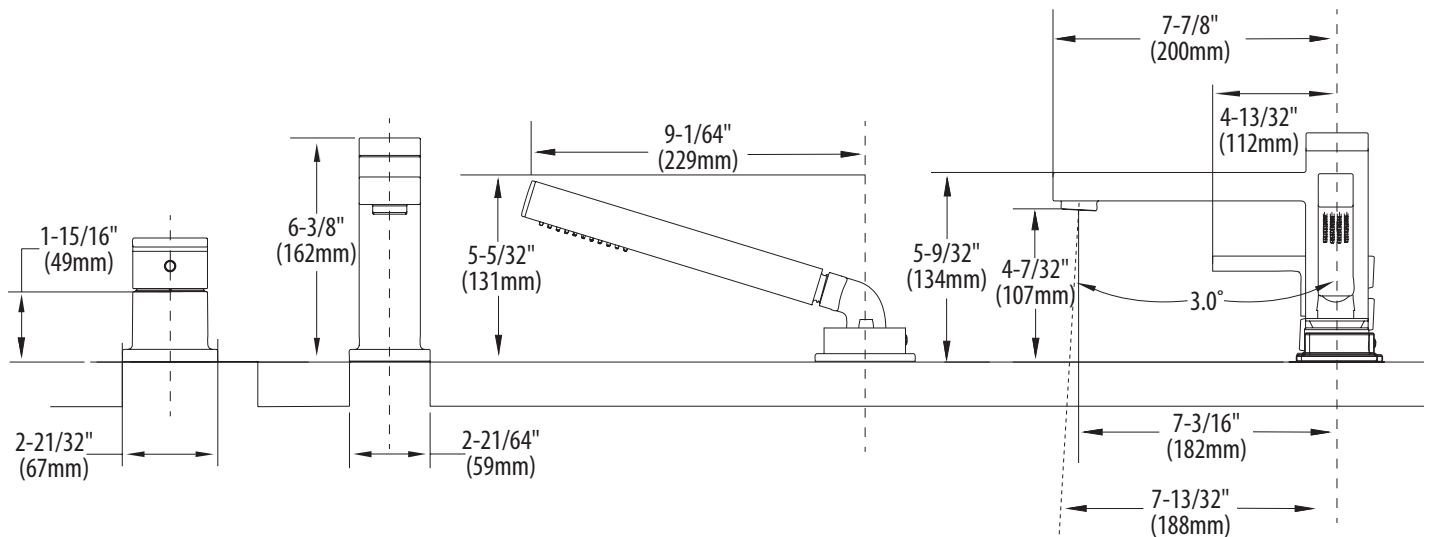
- Lifetime limited warranty against leaks, drips and finish defects to the original homeowner
 - 10 year limited warranty when used in a multifamily installation
 - 5 year limited warranty when used in a commercial installation
- Visit www.moen.com/support for complete details and limitations



Iver™ Single-Handle Roman Tub Faucet Trim w/Built In Diverter Valve

Model: T907 Series

Valve: 4791



FOR MORE INFORMATION CALL: 1-800-BUY-MOEN

www.moen.com