

Adler™ Technical Specification

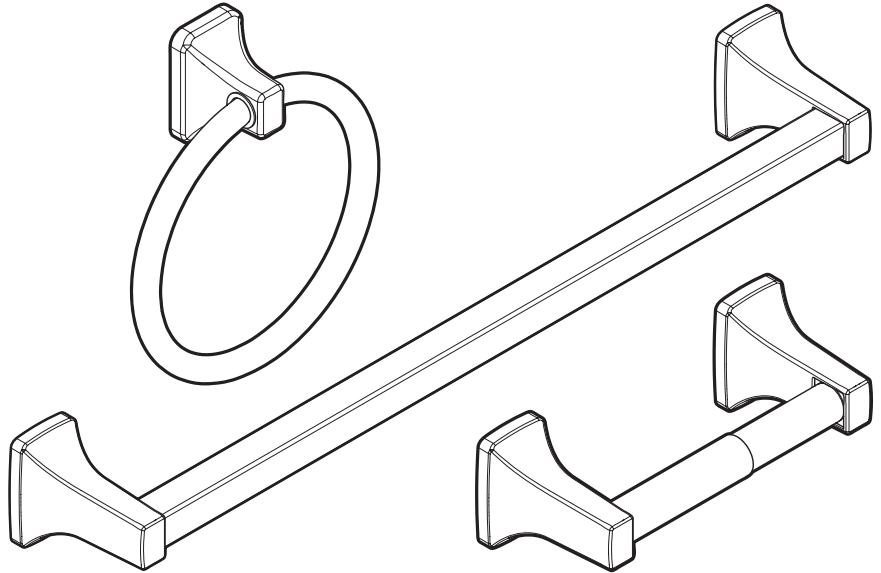
Bathroom Accessory Suite

YB0193

Stock Numbers:

- YB0193CH – Paper Holder, Towel Ring, and Towel Bar
Chrome
- YB0193BN – Paper Holder, Towel Ring, and Towel Bar
Brushed Nickel

Dimensions:



See reverse side for dimensions

Materials:

Paper Holder is constructed of zinc.

Towel Bar Posts are constructed of zinc.
Bar is constructed of brass.

Towel Ring Post is constructed of zinc.
Ring is aluminum.

Installation Instructions:

Please refer to product instructions for installation steps.

Cleaning Instructions:

To preserve the fine finish of this product, clean only with a soft damp cloth. Dry well. Do not use commercial or abrasive cleaners.

Stock Number: _____ Paper Holder,
Towel Bar, and Towel Ring By Moen Incorporated

25300 AL MOEN DRIVE • NORTH OLMSTED, OH 44070
CORPORATE HEADQUARTERS: (800) 321-8809 • FAX: (800) 848-6636
INTERNATIONAL: (440) 962-2000 • FAX: (440) 962-2726
CUSTOMER SERVICE (USA): 800-882-0116 • FAX: (888) 379-2720
WWW.MOEN.COM

© 2024 Moen Incorporated. Moen is a registered trademark and Adler is a trademark of Moen Incorporated. All rights reserved.

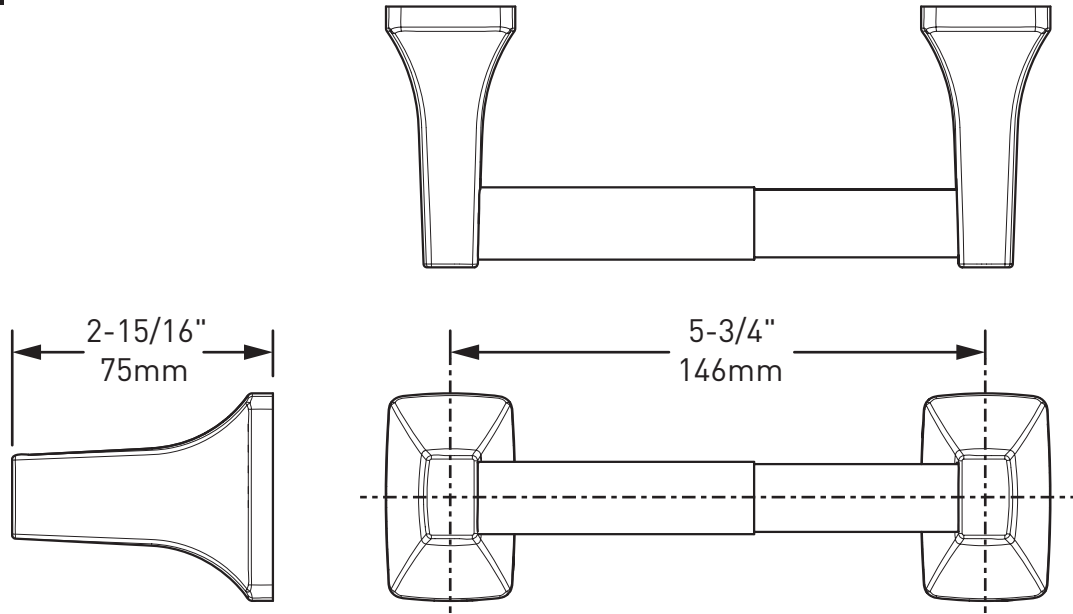
MOEN®

Adler™ Technical Specification

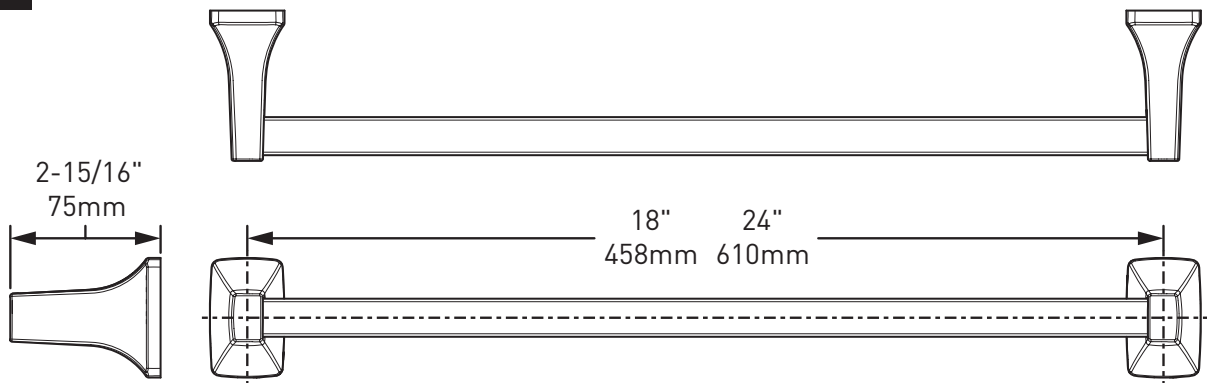
Bathroom Accessory Suite

YB0193

Paper Holder



Towel Bar



Towel Ring

