

DESCRIPTION

- Metal construction with various finishes identified by suffix
- With side spray
- Duralock™ Quick Connect Installation
- 1/2" IPS connection

OPERATION

- Lever style handle
- Hot side counterclockwise to open (clockwise to close), cold side clockwise to open (counter-clockwise to close)
- Will operate with less than 5 lbs. of force

FLOW


- Aerator is limited to 1.5 gpm max (5.7 L/min)

CARTRIDGE

- 1224 cartridge design
- Engineered polymers, non-ferrous and stainless steel materials

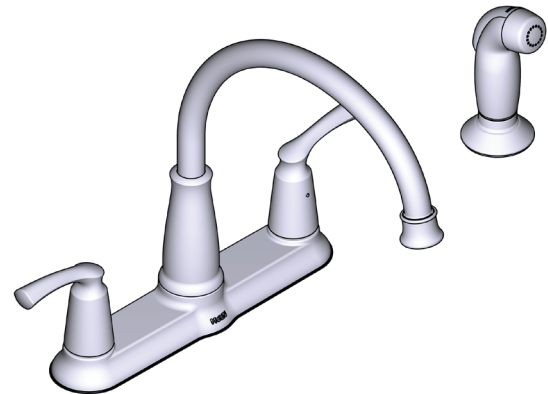
STANDARDS

- Third party certified to ASME A112.18.1/CSA B-125.1 and all applicable requirements referenced therein
- Certified to ANSI/NSF 61/9 & 372
- Meets CalGreen and Georgia SB370 requirements
- Complies with California Proposition 65 and with the Federal Safe Drinking Water Act

- ADA  for lever handles

WARRANTY

- Lifetime limited warranty against leaks, drips and finish defects to the original homeowner
 - 10 year limited warranty when used in a multifamily installation
 - 5 year limited warranty when used in a commercial installation
- Visit www.moen.com/support for complete details and limitations

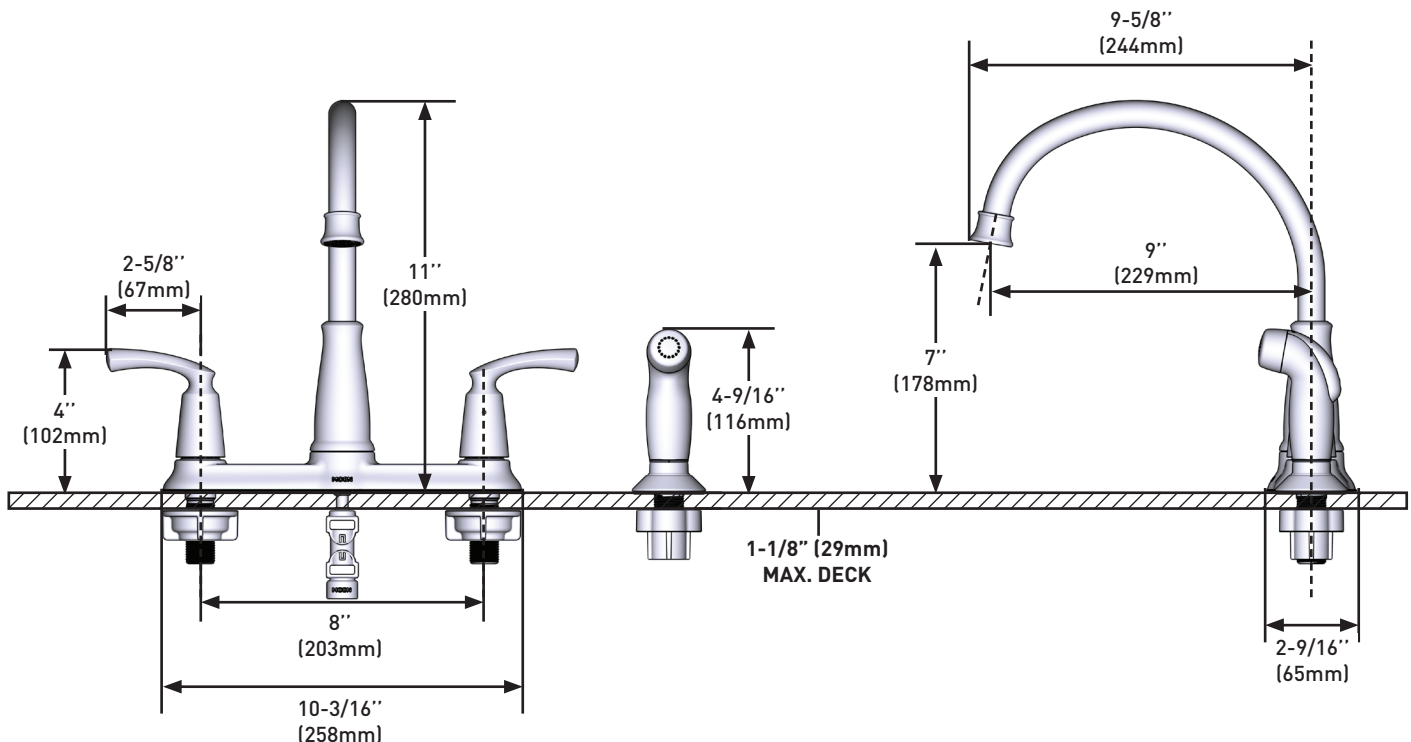


Bexley™

Two-Handle Lever Style Kitchen Faucet with Spray

MODELS: 87403 series

NOTE:
**THIS FAUCET IS DESIGNED TO BE
INSTALLED THROUGH 4 HOLES 1" MIN. DIA.**



CRITICAL DIMENSIONS DO NOT SCALE