

MOEN®

Specifications

*There is more than 1 version of this model.
Page down to identify the version you have.*

PRODUCT DESCRIPTION

- Battery powered, sensor activated, exposed water closet flushometer with brass angle stop valve
- Brass construction with chrome plated finish
- Chloramine resistant seals
- 1" IPS inlet supply
- 1-1/2" top spud
- High back pressure vacuum breaker
- Intended for use with floor mounted or wall hung top spud bowls with matching flow rates as specified by the fixture manufacturer

OPERATION

- Self-cleaning Accuset™ piston flush technology
- Mechanical override
- Adjustable infrared sensor range from 17" to 36"
- Four (4) Alkaline AA batteries included
- Battery life: up to 8 years*
- Low battery indicator light
- Optional 24 hour Sentinel Flush (Factory setting is off)
- Operating Pressure Range: 20-125psi
- Vandal resistant angle stop and double o-ring connections


FLOW RATE

- 8310S35 (3.5gpf/13.2Lpf)
- 8310 (1.6gpf/6.0Lpf)
- 8310DF16 (1.0/1.6gpf 3.8/6.0Lpf) – 1.0gpf up to 60 seconds/1.6gpf after 60 seconds
- 8311 (1.28gpf/4.8Lpf) - WaterSense®
- LAT8311 (1.28gpf/4.8Lpf) - WaterSense®

STOP VALVE

- All metal 1" IPS vandal resistant angle stop with double o-ring connection
- Adjustable installation (left or right connection)

STANDARDS

- Third party certified by IAPMO and CSA to meet ASME A112.19.2M and all applicable requirements referenced therein and complies with requirements of ASSE 1037
- BAA
- ADA 

WARRANTY

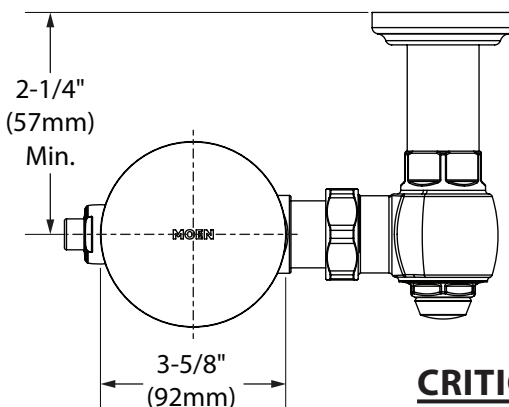
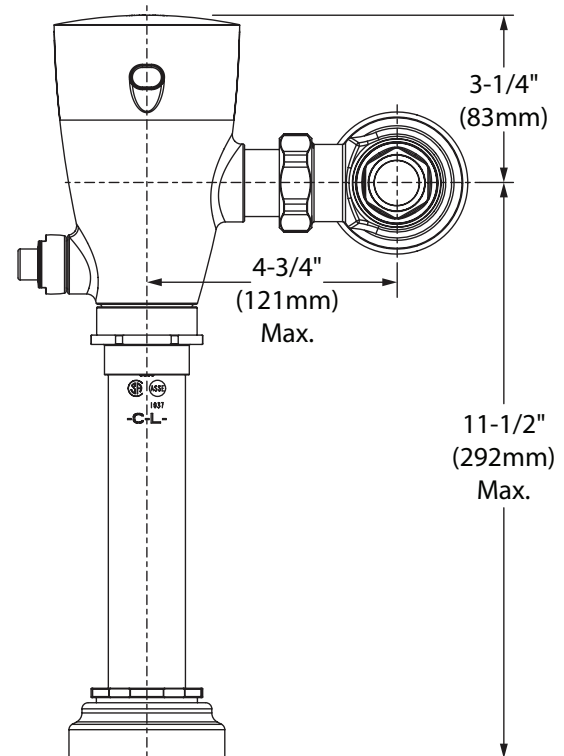
- Warranted for 5 years against material or manufacturing defects

**Typical alkaline battery life at 130 uses per day is about 8 years*



M-POWER™ Exposed, Battery Powered, Sensor Activated Closet Flush Valve

Models: 8310S35, 8310,
8310DF16, 8311, LAT8311



CRITICAL DIMENSIONS

(DO NOT SCALE)

PRODUCT DESCRIPTION

- Brass construction w/chrome plated finish
- 1" IPS supply
- 1-1/2" top spud
- All flush valves are intended for use with compatible flush volume fixtures as specified by the fixture manufacturer. WaterSense® labeled flush valves should be used with a WaterSense® labeled fixture that has a compatible flush volume to ensure complete system performance.

OPERATION

- Adjustable sensor eyes
- Battery powered (4) standard AA (included)
- Average battery life 250,000 cycles
- Self-diagnostic electronics
- Piston flushing mechanism
- Self cleaning filter system
- Low battery indicator light


FLOW RATE

- 8310 (1.6gpf/6.0Lpf)
- 8310DF16 (1.0/1.6gpf 3.8/6.0Lpf) – 1.0gpf up to 60 seconds/1.6gpf after 60 seconds
- 8311 (1.28gpf/4.8Lpf) ◊
- Operating pressures 10 to 125 psi
- 24 hour sentinel flush
- Manual override button

STOP VALVE

- 1" IPS angle stop (vandal resistant)
- Adjustable installation (left or right connection)

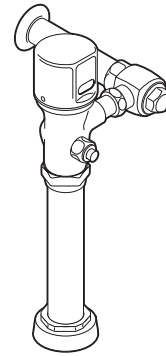
STANDARDS

- Third party certified by IAPMO and CSA to meet ASME A112.19.2M and all applicable requirements referenced therein and complies with requirements of ASSE 1037
- ADA 

WARRANTY

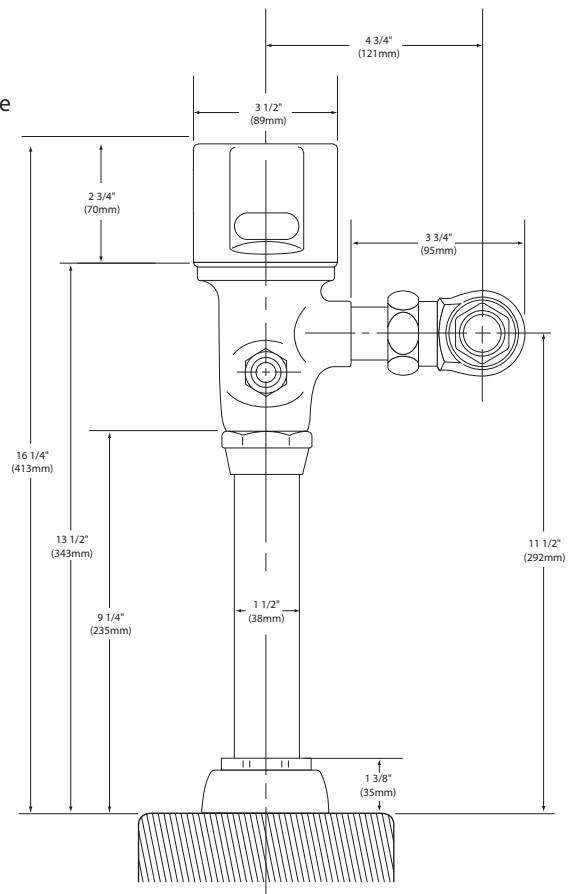
- Warranted for 5 years against material or manufacturing defects

◊ Intended for use with matching flow rates as specified by the fixture manufacturer



Exposed, Battery Powered, Sensor Activated Closet Flush Valve

**Models: 8310,
8310DF16, 8311**



CRITICAL DIMENSIONS

(DO NOT SCALE)