

MOEN®

DESCRIPTION

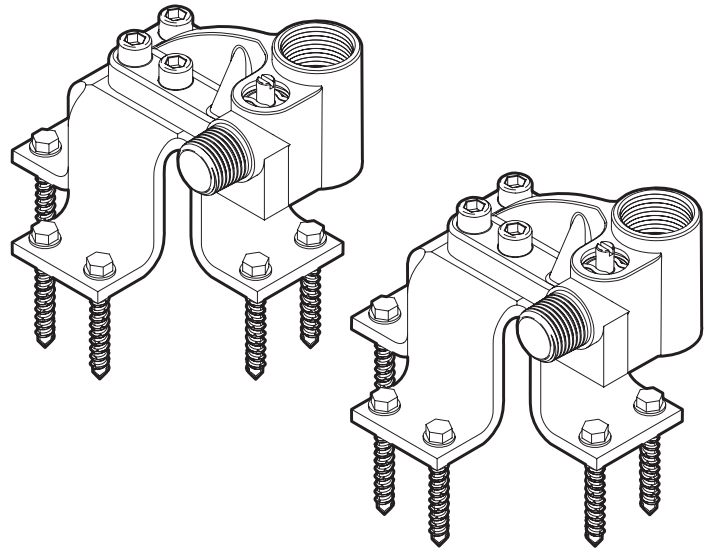
- Metal construction
- 1/2" CC/IPS type connections with 1/4 turn stops
- Includes two mounting brackets, two manifolds, and mounting screws

OPERATION

- Expandable mounting brackets for joists between 12" and 24" apart

WARRANTY

- Lifetime limited warranty against leaks, drips and finish defects to the original consumer purchaser
- 5-year warranty if used in commercial installations



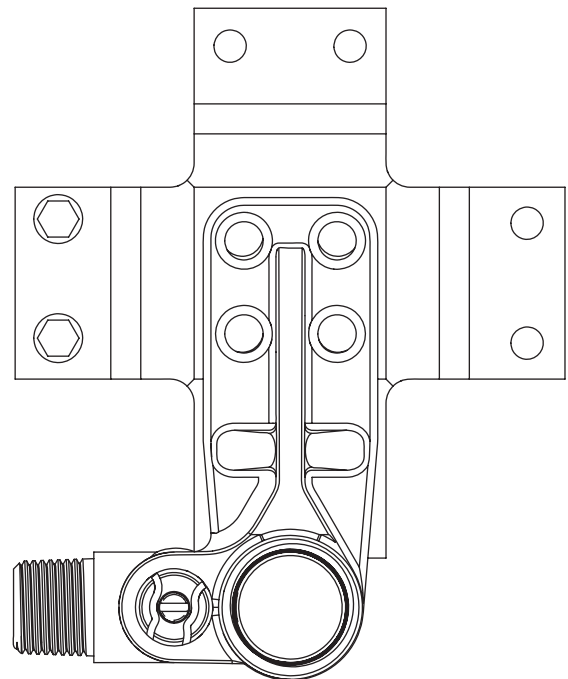
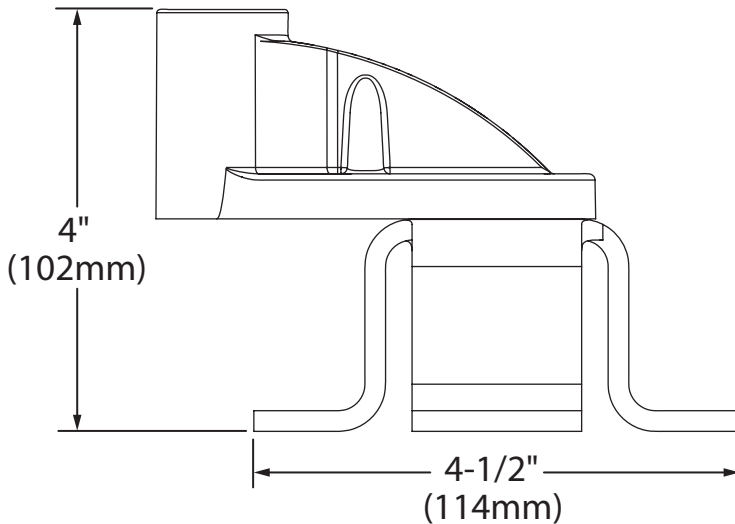
M-PACT™

Double Riser Floor Mount Tub Filler for Concrete Rough-in Valve

For use with TS25105 series risers

MODEL: TS50210 series

104465 Thermostatic mixing valve sold separately
is certified to ASSE 1070 and CSA B-125.3



CRITICAL DIMENSIONS
(DO NOT SCALE)