

## Revision Flag

### DESCRIPTION

- Metal construction with various finishes identified by suffix
- 1/2" IPS connections
- Includes pop-up waste assembly

### OPERATION

- Lever style handles
- Rotate hot side counterclockwise to open (clockwise to close)
- Rotate cold side clockwise to open (counterclockwise to close)


### FLOW

- Flow is limited to 1.5 gpm max (5.7L/min) at 60 psi

### CARTRIDGE

- 1224 cartridge design
- Nonmetallic and stainless steel material

### STANDARDS

- Third party certified to WaterSense®, ASME A112.18.1/CSA B125.1, and all applicable requirements referenced therein including NSF 61/9 & 372
- Contains no more than 0.25% weighted average lead content
- Complies with California Proposition 65 and with the Federal Safe Drinking Water Act
- ADA  for lever handles

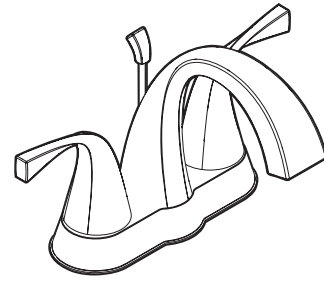
### WARRANTY

- Lifetime limited warranty against leaks, drips and finish defects to the original consumer purchaser
- 5 year warranty if used in commercial installations

### NOTE

- Service kits available for thicker or thinner deck applications. See Parts view.

# SPECIFICATIONS



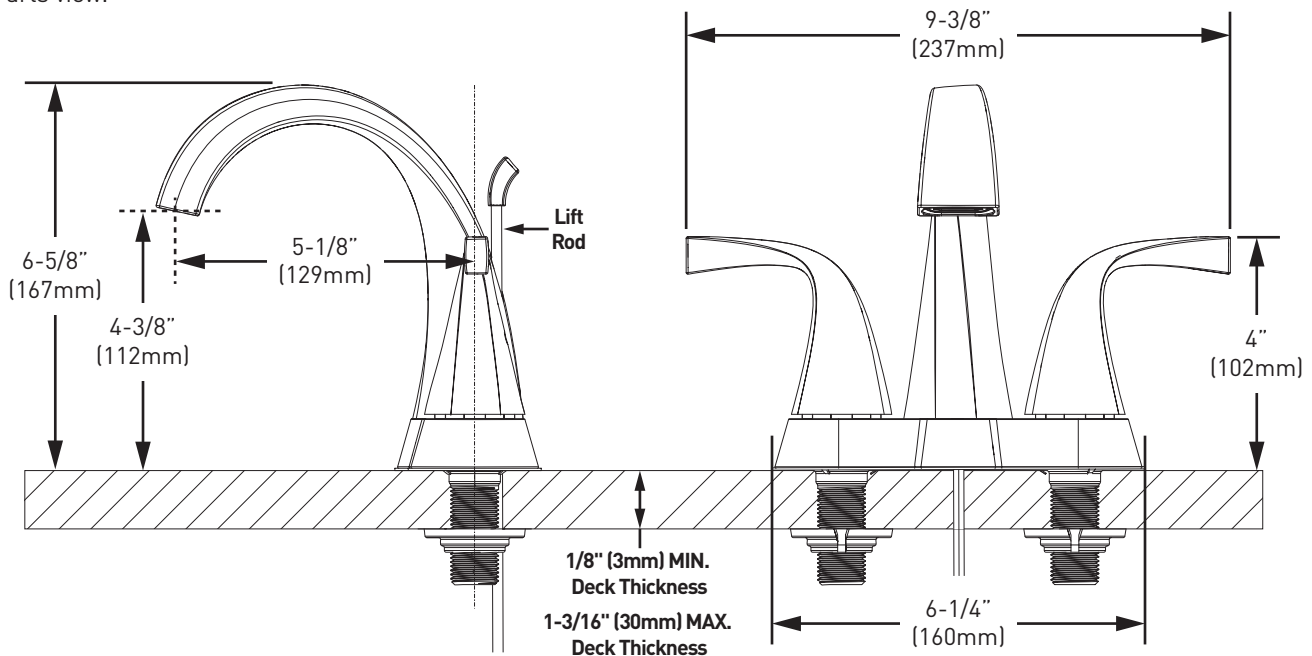
## Oxby™

### 4" Lavatory Faucet with Metal Waste Assembly

**MODELS:** 84660 Series

**NOTE:**

**THIS FAUCET IS DESIGNED TO BE INSTALLED THRU 3 HOLES, 1" MIN. DIA.**



## Revision Flag

### DESCRIPTION

- Metal construction with various finishes identified by suffix
- 1/2" IPS connections
- Includes pop-up waste assembly

### OPERATION

- Lever style handles
- Rotate hot side counterclockwise to open (clockwise to close)
- Rotate cold side clockwise to open (counterclockwise to close)


### FLOW

- Flow is limited to 1.5 gpm max (5.7L/min) at 60 psi

### CARTRIDGE

- 1224 cartridge design
- Nonmetallic and stainless steel material

### STANDARDS

- Third party certified to WaterSense®, ASME A112.18.1/CSA B125.1, and all applicable requirements referenced therein including NSF 61/9 & 372
- Contains no more than 0.25% weighted average lead content
- Complies with California Proposition 65 and with the Federal Safe Drinking Water Act
- ADA  for lever handles

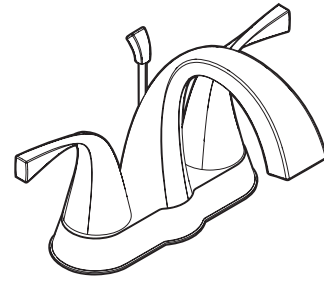
### WARRANTY

- Lifetime limited warranty against leaks, drips and finish defects to the original consumer purchaser
- 5 year warranty if used in commercial installations

### NOTE

- Service kits available for thicker or thinner deck applications. See Parts view.

# SPECIFICATIONS



## Oxby™

### 4" Lavatory Faucet with Metal Waste Assembly

**MODELS:** 84660 Series

**NOTE:**

**THIS FAUCET IS DESIGNED TO BE INSTALLED THRU 3 HOLES, 1" MIN. DIA.**

