

DESCRIPTION

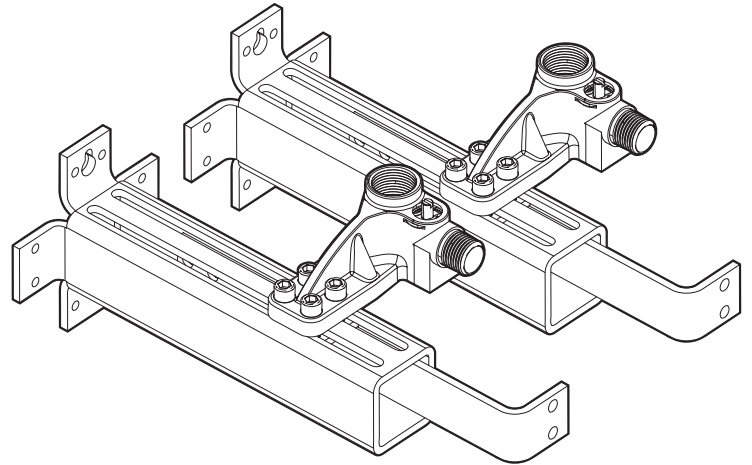
- Metal construction
- 1/2" CC/MNPT type connections with 1/4 turn stops
- Includes two mounting bracket and two manifolds

OPERATION

- Expandable mounting brackets for joists between 12" and 24" apart

WARRANTY

- Lifetime limited warranty against leaks, drips and finish defects to the original consumer purchaser
- 5-year warranty if used in commercial installations

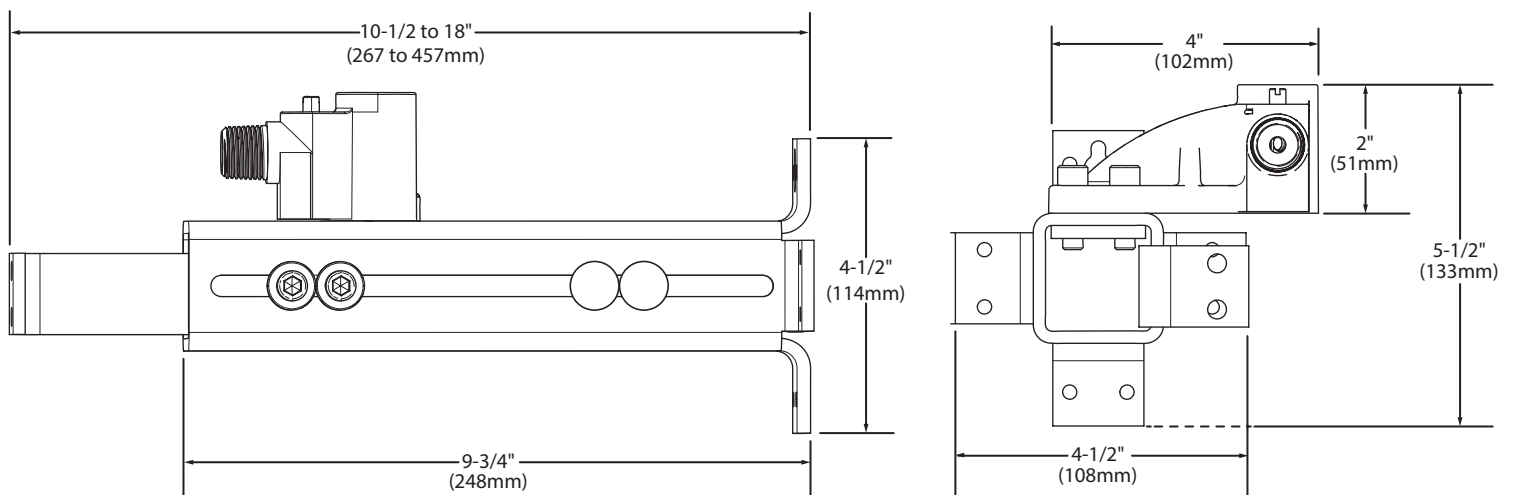


M-PACT™ Double Riser Floor Mount Tub Filler Rough-in

For use with TS25105 series risers

MODEL: TS50200 series

104465 Thermostatic mixing valve sold separately
is certified to ASSE 1070 and CSA B-125.3



CRITICAL DIMENSIONS
(DO NOT SCALE)