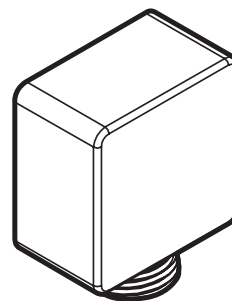


DESCRIPTION

- Metal construction with various finishes identified by suffix

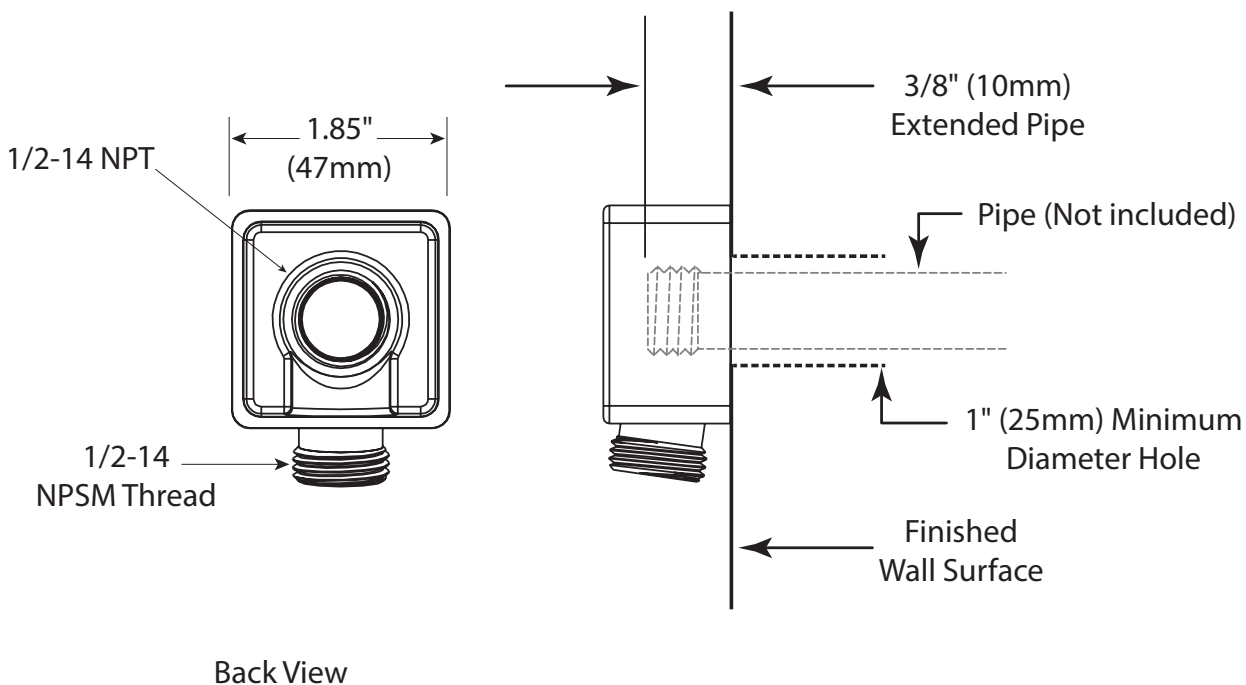
WARRANTY

- Lifetime warranty against material or manufacturing defects



Drop Ell

MODELS: A721 series



CRITICAL DIMENSIONS DO NOT SCALE