

Technical Specification

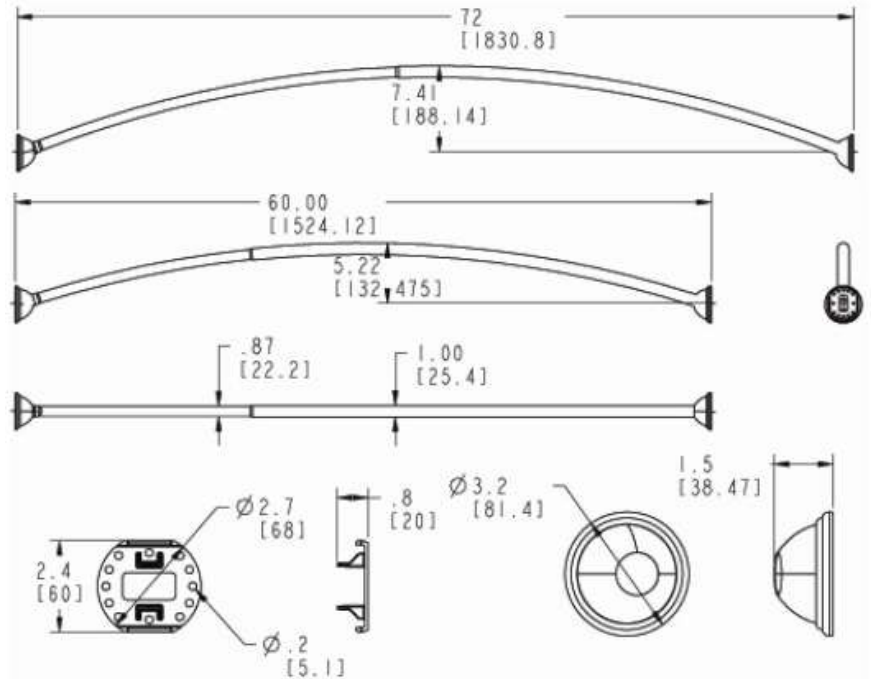
Adjustable-Length Curved Shower Rod

DN2160

Stock Numbers:

- ❑ **DN2160BN – Adjustable-Length Curved Shower Rod**
Brushed Nickel Finish
Adjusts to fit shower enclosures between 54 - inches and 72 - inches
- ❑ **DN2160CH – Adjustable-Length Curved Shower Rod**
Chrome Finish
Adjusts to fit shower enclosures between 54 - inches and 72 - inches
- ❑ **DN2160WB – Adjustable-Length Curved Shower Rod**
Old World Bronze Finish
Adjusts to fit shower enclosures between 54 - inches and 72 - inches
- ❑ **DN2160BL – Adjustable-Length Curved Shower Rod**
Matte Black Finish
Adjusts to fit shower enclosures between 54 - inches and 72 - inches

Dimensions:



Materials:

Curved Shower Rods are made of .028 (22 gauge) seamless type 430 stainless steel. **Decorative Covers** are stamped from .020 type 443 stainless steel. **Pivoting Mounting Post** is made from POM. The screw in the pivoting post assembly is made from stainless steel. **Rod connector** is made from Polyethylene. **Decorative Cover Insert Rings** are made from POM.

Stock Number: _____ Adjustable-Length Curved Shower Rod By Moen Incorporated

MOEN®

25300 AL MOEN DRIVE • NORTH OLMSTED, OH 44070
CORPORATE HEADQUARTERS: (800) 321-8809 • FAX: (800) 848-6636
INTERNATIONAL: (440) 962-2000 • FAX: (440) 962-2726
CUSTOMER SERVICE (USA): 800-882-0116 • FAX: (888) 379-2720
WWW.MOEN.COM
© 2023 Moen Incorporated.