

DESCRIPTION

- Chrome plated metal construction
- 1/2" IPS connections
- Supplied with vandal resistant screws
- Valve body is of brass construction

OPERATION

- Wrist Blade style handles with hot and cold color indicators
- Hot side counterclockwise (1/4) turn to open (clockwise to close)
- Cold side clockwise (1/4) turn to open (counter-clockwise to close)


FLOW

- Water usage is limited to these maximum flow rates as indicated by the corresponding product markings
- 1.2 gpm max (4.5L/min) at 60 psi.

CARTRIDGE

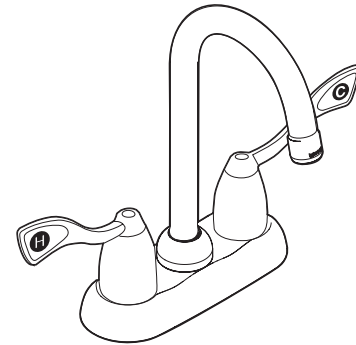
- 1224 cartridge design
- Nonmetallic and stainless steel material

STANDARDS

- Third party certified to ASME A112.18.1/CSA B125.1 and all applicable requirements referenced therein
- Certified to NSF 61/9 & 372
- Products marked with 1.2 gpm are compliant with California water efficiency regulations
- Complies with California Proposition 65 and with the Federal SafeDrinking Water Act
- **ADA**  for lever handles

WARRANTY

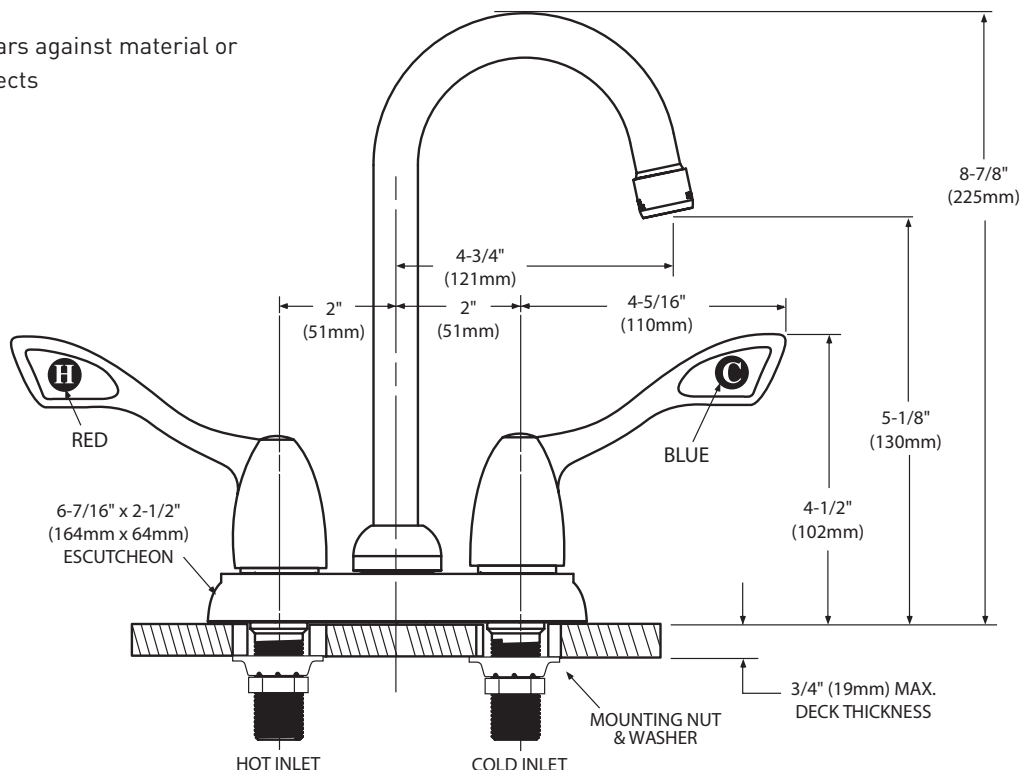
- Warranted for 5 years against material or manufacturing defects



Two-Handle Clinic Faucet

MODELS: 8948

NOTE:
This faucet is designed to be installed through 2 holes, 1" min. dia. and 4" on center



CRITICAL DIMENSIONS DO NOT SCALE