

DESCRIPTION

- Metal construction with chrome plated finish
- 1/2" IPS connections
- Supplied with vandal resistant screws

OPERATION

- 4" Wrist blade style handles with hot and cold color indicators
- Rotate the hot side handle 1/4 turn counterclockwise to open and clockwise to close
- Rotate the cold side handle 1/4 turn clockwise to open and counterclockwise to close


FLOW

- Aerator is limited to 1.5 gpm max. (5.7 L/min)

CARTRIDGE

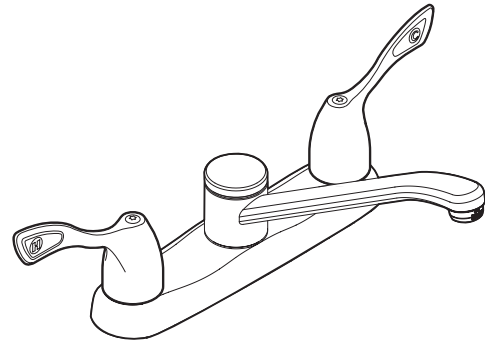
- 1224 cartridge design
- Nonmetallic and stainless steel material

STANDARDS

- Third party certified to ASME A112.18.1/CSA B-125.1 and all applicable requirements referenced therein including NSF 61/9
- Contains no more than 0.25% weighted average lead content
- Complies with California Proposition 65 and with the Federal Safe Water Drinking Act
- **ADA**  for lever handles

WARRANTY

- Warranted for 5 years against material or manufacturing defects

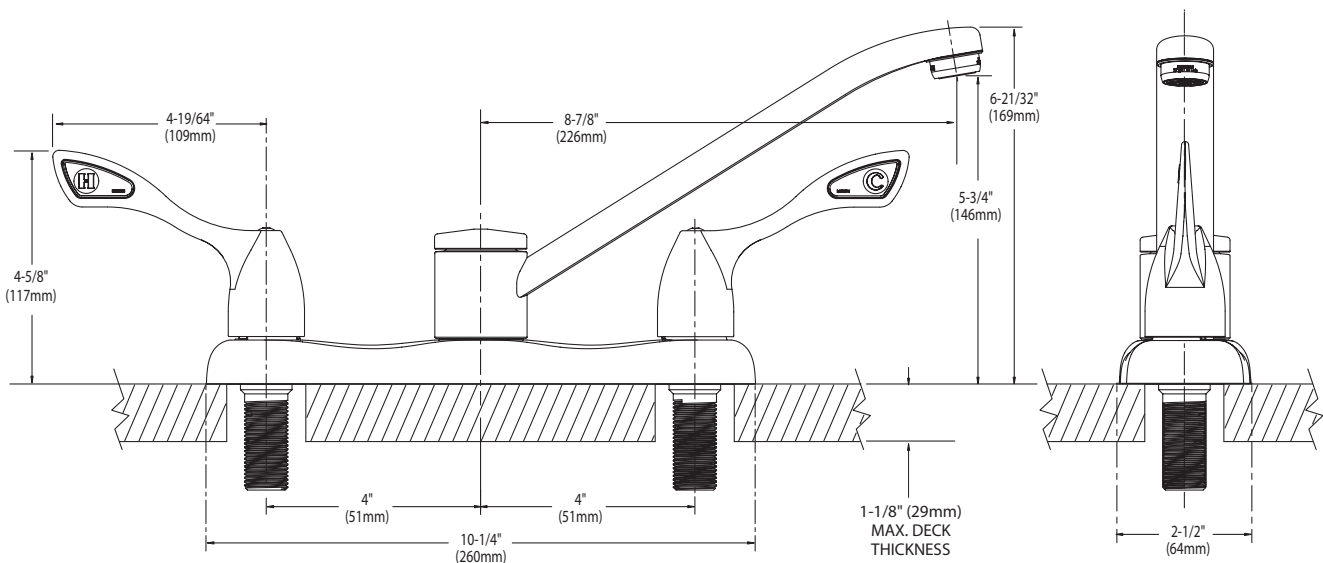


Two-Handle Kitchen Faucet

MODELS: 8798

NOTE:

This faucet is designed to be installed through 3 holes, 1" min. dia. and 4" on centers



CRITICAL DIMENSIONS DO NOT SCALE