

DESCRIPTION

- Brass construction with chrome plated finish
- 1/2" IPS connections
- Less spout


OPERATION

- Lever style handles with hot and cold color indicators

CARTRIDGE

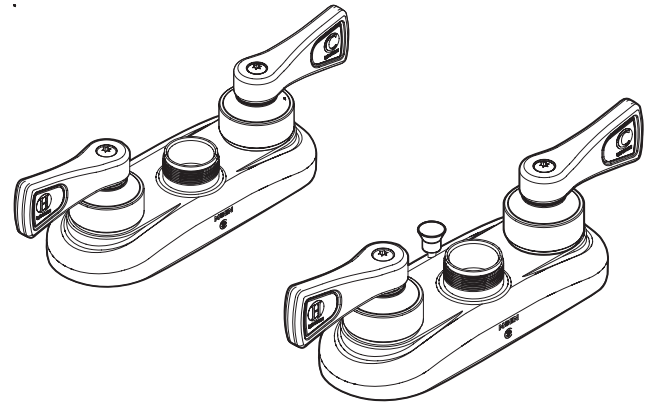
- Brass shell, ceramic disc cartridge
- 1/4 turn operation

STANDARDS

- Third party certified to meet ASME A112.18.1/CSA B125.1 and all applicable specifications referenced therein
- Contains no more than 0.25% weighted average lead content
- Certified to NSF 61/9
- Complies with California Proposition 65 and with the Federal Safe Drinking Water Act
- **ADA**  for lever handles

WARRANTY

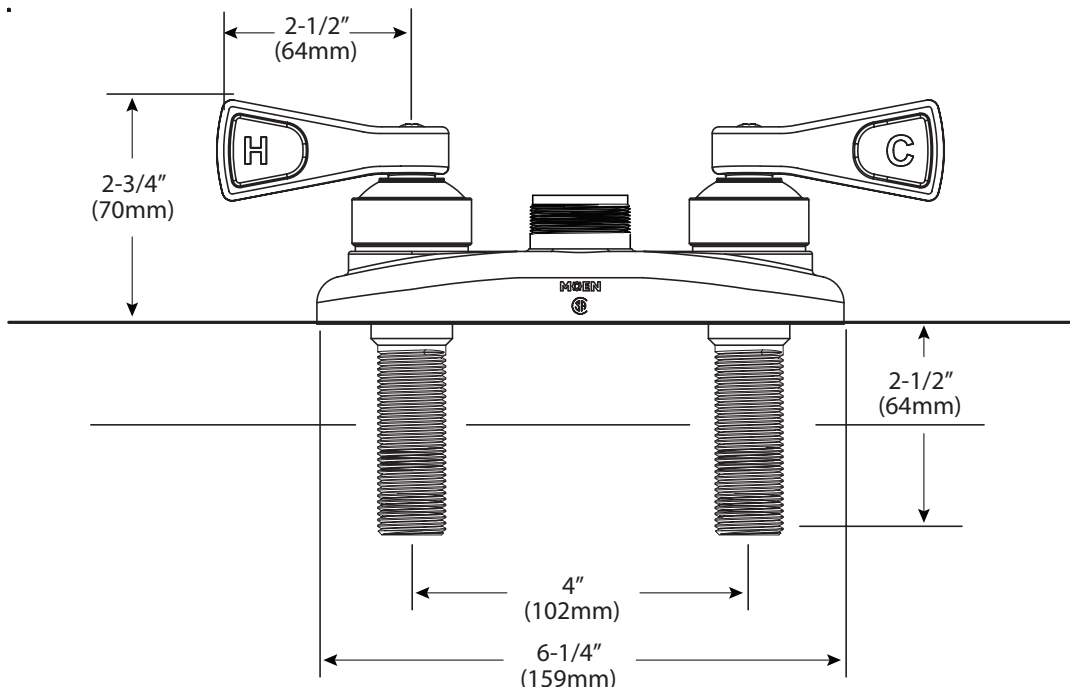
- Warranted for five years against material or manufacturing defects



Two-Handle Bar/Pantry Faucet (less spout)

MODELS: 8274, *8275
*(w/pop-up)

NOTE:
*Designed to be installed through
2 holes - 1" min. dia.*



CRITICAL DIMENSIONS DO NOT SCALE