

DESCRIPTION

- Brass construction with chrome plated finish
- 1/2" IPS connections
- 8" widespread

OPERATION

- Wristblade handles with hot and cold color indicators
- 1/4 turn to open (clockwise to close)
- Vandal resistant torx head screws

CARTRIDGE

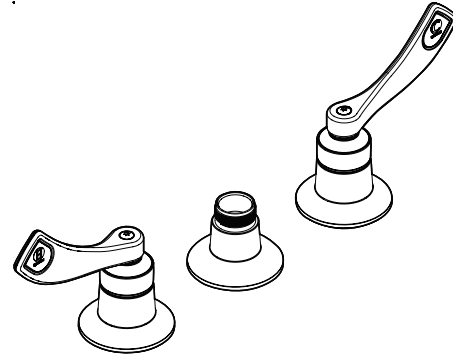
- Brass shell, ceramic disc cartridge
- Nonmetallic/nonferrouse and ceramic material

STANDARDS

- Standards

WARRANTY

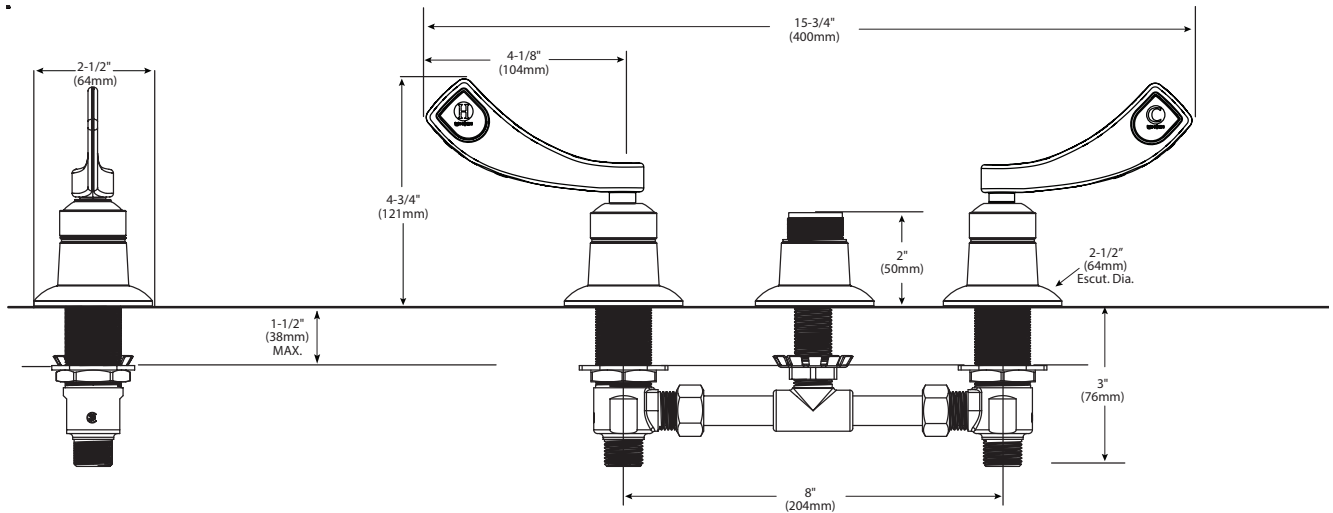
- Warranted for 5 years against material or manufacturing defects



Two-Handle Lavatory Faucet Less Spout

MODELS: 8229

NOTE:
*Designed to be installed through
3 holes – 1-9/32" min. dia.*



CRITICAL DIMENSIONS DO NOT SCALE