

## DESCRIPTION

- Brass construction
- PEX connections\* for inlets
- Pressure balancing, four port, cycle valve
- Includes pre-installed test plug (cartridge also included inside carton)
- Allows valve to be soldered, pressure-tested, and flushed without damaging the cartridge

## OPERATION

- Adjustable temperature limit stop to control maximum hot water temperature
- Pressure balancing mechanism maintain selected discharge temperature to  $\pm 3^{\circ}\text{F}$

## CARTRIDGE

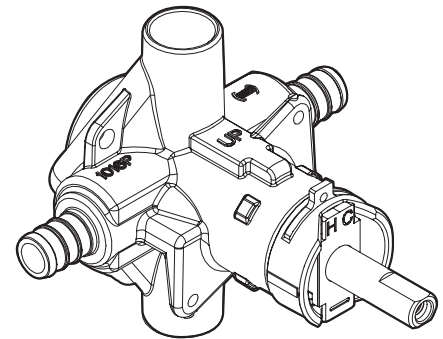
- 1222 cartridge design
- Nonmetallic/nonferrous and stainless steel materials
- Accommodates back to back installations

## STANDARDS

- Third party certified to meet ASME A112.18.1/CSA B125.1, ASSE 1016, CSA B137.5, ASTM F1807 and all applicable requirements referenced therein
- Moen's Posi-Temp® and Moentrol® valves with graphite composite spools combined with Moen's Eco-performance showerheads meet the performance requirements of pressure and temperature variation of ASSE1016 when tested as low as 1.5 gpm

## WARRANTY

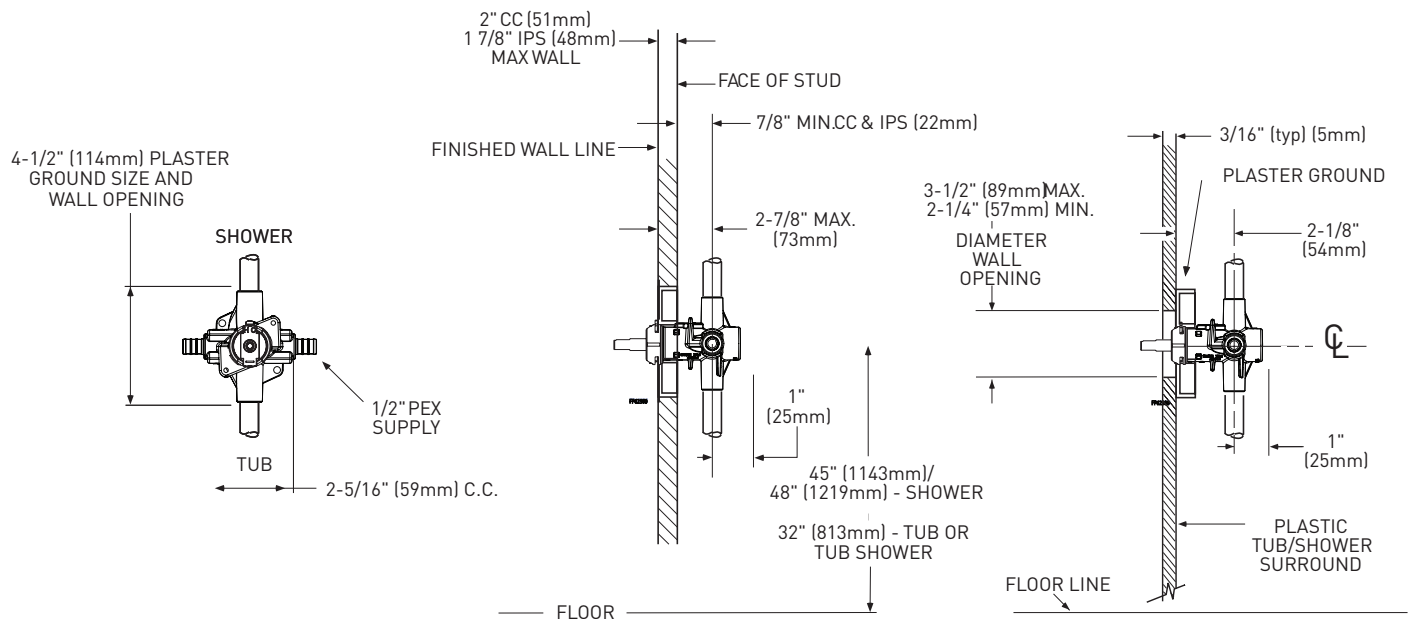
- Lifetime limited warranty against leaks, drips and finish defects to the original consumer purchaser
- 5 year warranty if used in commercial installations



## POSI-TEMP® VALVE

Single Pack  
Models: 2580

Bulk Packed  
Models: 62380, FP62380  
(Includes Flush Plug)



\* The PEX Posi-Temp valves are NOT to be used with polybutylene (PB) tubing or the Wirsbo "expandable" joining system

## CRITICAL DIMENSIONS

(DO NOT SCALE)