

# Contemporary Technical Specification

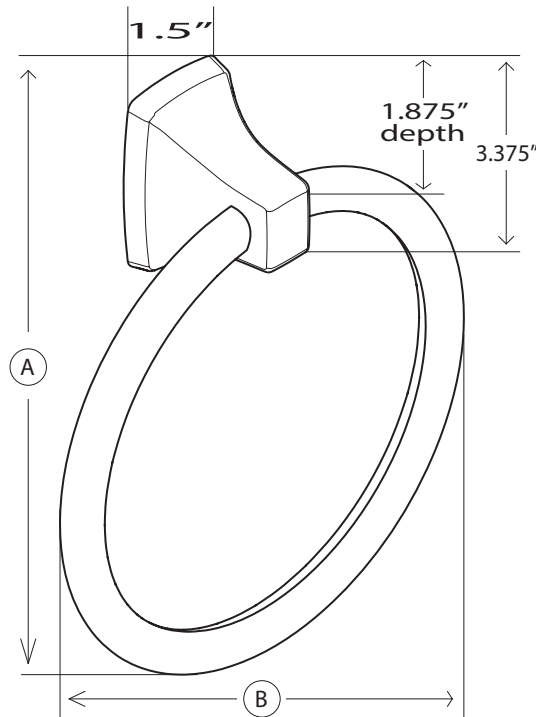
## Towel Ring

# 2500, 2860

### Stock Numbers:

- **2860PB - Towel Ring**  
Polished Brass Finish  
Concealed Screw Mounting  
Metal Ring
- **2500 - Towel Ring**  
Polished Chrome Finish  
Concealed Screw Mounting  
Clear Ring
- **2860 - Towel Ring**  
Polished Chrome Finish  
Concealed Screw Mounting  
Metal Ring
- **2860BN - Towel Ring**  
Brushed Nickel Finish  
Concealed Screw Mounting  
Metal Ring

### Dimensions:



	2500	2860
A	6.75"	7"
B	6"	6.25"

### Materials:

**Towel Ring** posts are die cast from highest quality zinc alloy (zamac). Castings are triple plated with a polished brass or polished chrome finish. 2500 ring is clear acrylic. 2860 ring is aluminum with polished brass or polished chrome finish.

### Installation Instructions:

1. Remove mounting bracket from back of fixture by loosening the set screw.
2. Position unit on wall in desired location.
3. Lightly mark the outline of the base of the unit.
4. Center mounting bracket inside the outline.
5. Mark hole locations. Attach bracket to wall using 1-3/8" screws (provided)
6. Mount base on bracket. Tighten set screw on the bottom.

Note: Wood blocking is preferable behind all wall surfaces. If wood blocking is not available, the following optional fasteners are suggested: Tile/Masonry - Plastic or Lead Anchors; Plaster/Drywall Toggle Bolts.

### Cleaning Instructions:

To preserve the fine finish of this product, clean only with a soft damp cloth. Dry well. Do not use commercial or abrasive cleaners.

# MOEN®

25300 AL MOEN DRIVE • NORTH OLMSTED, OH 44070  
CORPORATE HEADQUARTERS: (800) 321-8809 • FAX: (800) 848-6636  
INTERNATIONAL: (440) 962-2000 • FAX: (440) 962-2726  
CUSTOMER SERVICE (USA): 800-882-0116 • FAX: (888) 379-2720  
WWW.MOEN.COM  
©2024 Moen Incorporated

MOEN & SPECIFIC SYMBOLS  
REGISTERED