

# Technical Specification

## SecureMount Anchor for Flat-Panel Televisions

### SMA3000 Series

#### Stock Numbers:

- q **SMA3000**  
1 pair of anchors
- q **SMA3048**  
48 pairs of anchors

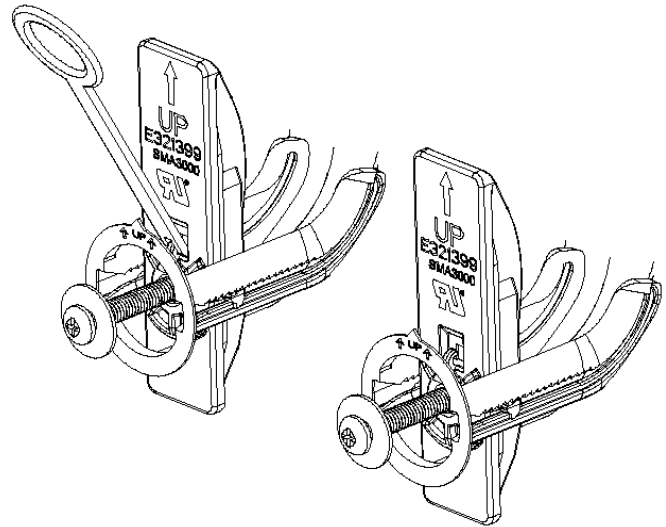
#### Materials:

SecureMount Anchor guide and anchor are made of POM

#### Compliance:

- For use with flat-panel TVs weighing up to 150 lbs.
- To be used in conjunction with flat or tilt wall mounts for flat-panel TVs
- NOT TO BE USED ON ARTICULATING, SWIVEL OR PIVOT TELEVISION WALL MOUNTS (any wall mount containing an arm that moves the TV away from the wall)
- If installing more than one anchor in vertical alignment, the anchor holes must be greater than 3.75" apart center to center
- Recommended for use in drywall 1/2" to 1 1/4" thick
- Requires 3-1/2" space behind the wall
- UL recognized component

#### Dimensions:



#### Notes:

- Anchor measures 3.75" high, 1" wide
- Screw is steel; M6 x 1

#### Installation Instructions:

1. Mark desired location on wall
2. Drill one 1 1/4" hole
3. Insert guide sleeve into hole in the wall. (Note: UP indicator must always point up)
4. Connect pull tab to the SecureMount anchor
5. With pull tab up, insert the anchor all the way into the hole in the wall
6. Pull back on the pull tab, and disconnect it from the anchor
7. Repeat for each required anchor
8. Place wall mount plate over anchor, insert screw into washer and secure into anchor

**Stock Number:** \_\_\_\_\_ **SecureMount Anchor**  
**By Creative Specialties**