

DESCRIPTION

- Metal construction
- Installs on 10"(254mm) centers minimum
- Designed to be installed on finished decks up to 3" (76mm)
- 1/2" CC inlets and outlets

OPERATION

- Can be installed with any ShowHouse® Deck Mounted Roman Tub Trim Kit
- Rotate hot side handle counterclockwise to open (clockwise to close) and the cold side handle clockwise to open (counterclockwise to close)

FLOW

- Designed to deliver 17 gpm at 45 psi. (66L/min)

CARTRIDGE

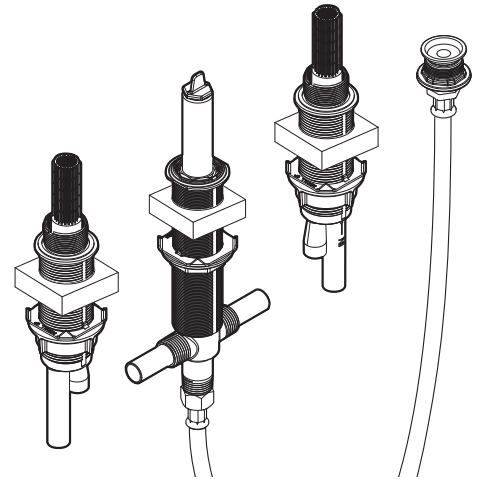
- Nonmetallic and stainless steel materials

STANDARDS

- Designed and manufactured to comply with the applicable requirements of: ASME A112.18.1/CSA B-125.1 and all applicable requirements referenced therein

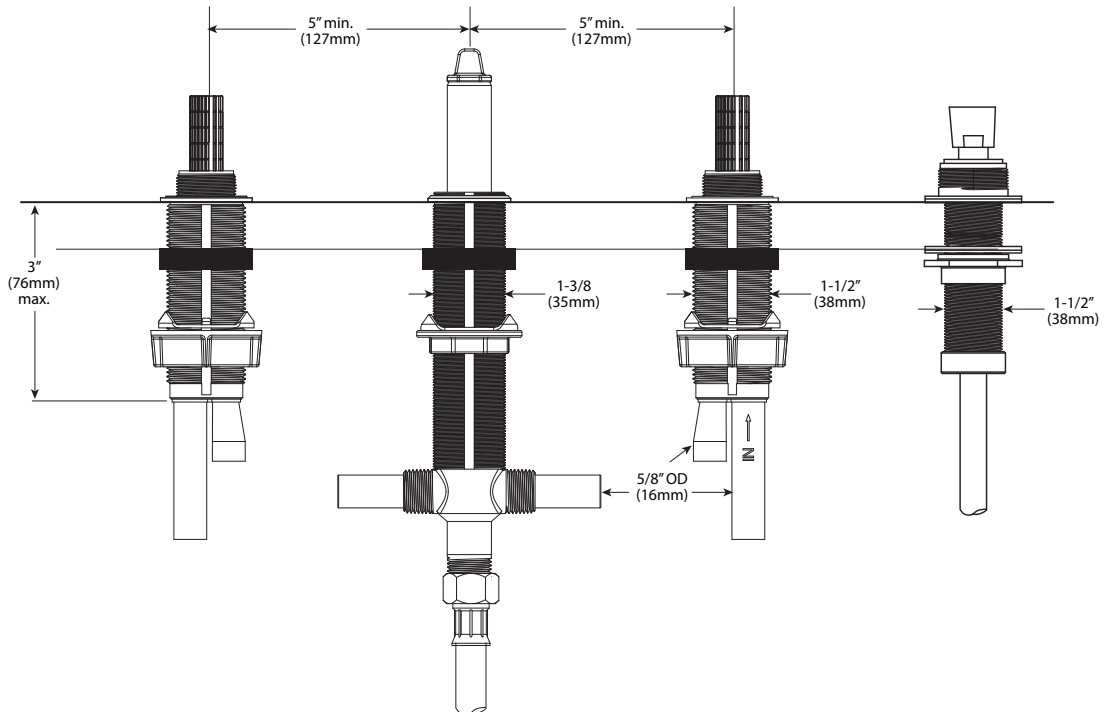
WARRANTY

- Lifetime limited warranty against leaks, drips and finish defects to the original consumer purchaser
- 5 year warranty if used in commercial installations



**Roman Tub High Flow
Rough-In Valve
(Adjustable Type)**

Model: S9204



CRITICAL DIMENSIONS

(DO NOT SCALE)