

There is more than 1 version of this model. Page down to identify the version you have.

DESCRIPTION

- Metal construction with various finishes identified by suffix
- Flexible supplies with 3/8" compression fittings
- Includes side spray with Hydrolock® quick connect system
- Handle can be installed on the right or left side of the spout

OPERATION

- Lever style handle
- Temperature controlled by 100° arc of handle travel

FLOW

- Aerator is limited to 2.2 gpm max. (8.3 L/min)

CARTRIDGE

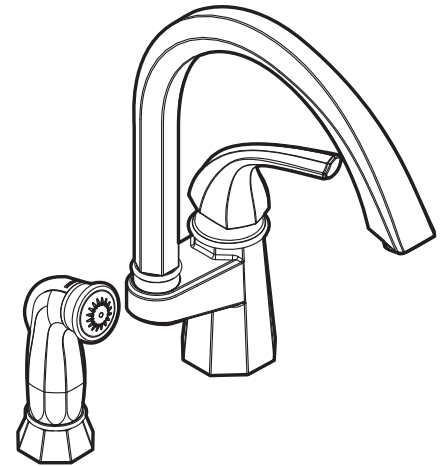
- 1255™ Duralast™ cartridge

STANDARDS

- Third party certified to ASME A112.18.1/CSA B125.1 and all applicable requirements therein including NSF 61/9
- Contains no more than 0.25% weighted average lead content
- Complies with California Proposition 65 and with the Federal Safe Drinking Water Act
- ADA ♿ for lever handles

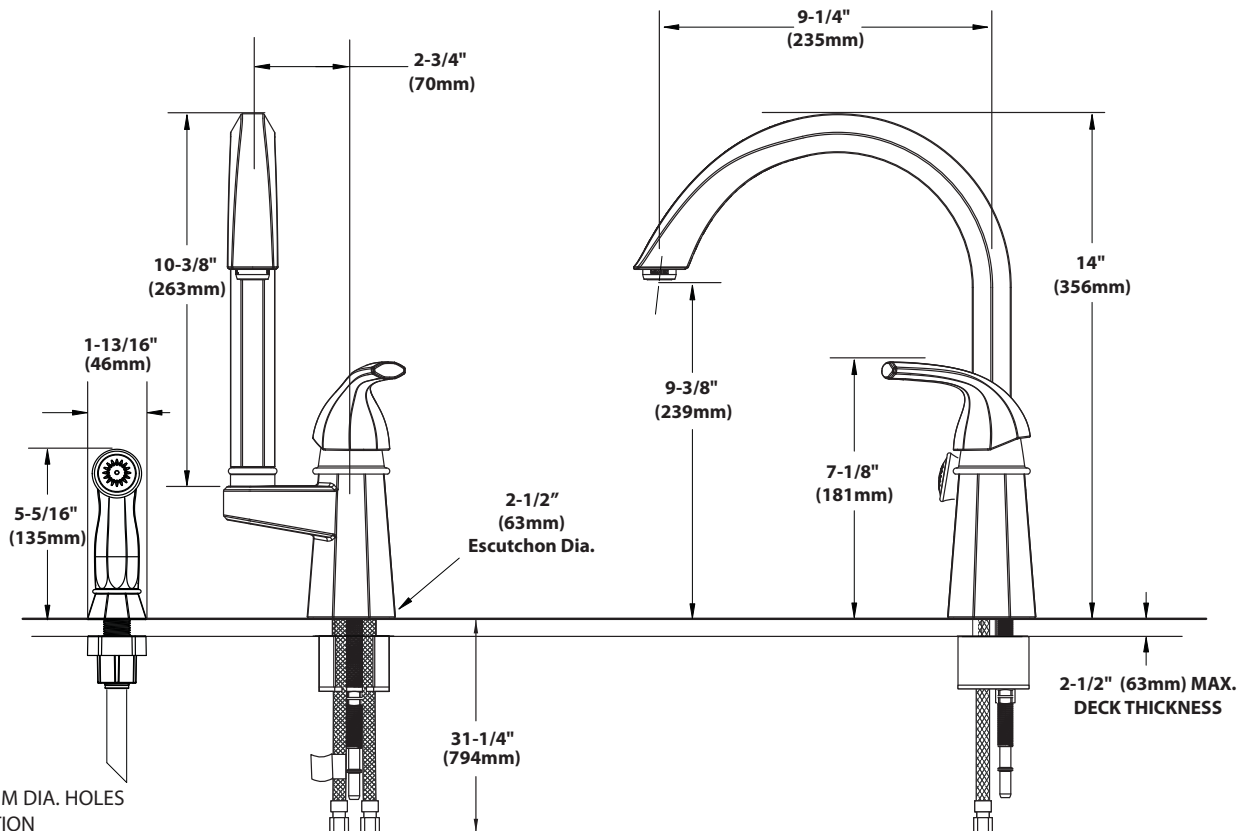
WARRANTY

- Lifetime limited warranty against leaks, drips and finish defects to the original consumer purchaser
- 5 year warranty if used in commercial installations



Single-Handle Kitchen Faucet

Models: S741 series



NOTE: MINIMUM DIA. HOLES FOR INSTALLATION

Faucet = 1-1/4" (32mm)

Side Spray = 1" (25mm)

CRITICAL DIMENSIONS

(DO NOT SCALE)

DESCRIPTION

- Metal construction with various finishes identified by suffix
- 1/2" IPS connections will accept standard ball nose connection for 3/8" tubing
- Includes side spray with Hydrolock® quick connect system
- Handle can be installed on the right or left side of the spout

OPERATION

- Lever style handle
- Temperature controlled by 140° arc of handle travel


FLOW

- Aerator is limited to 2.2 gpm max. (8.3 L/min)

CARTRIDGE

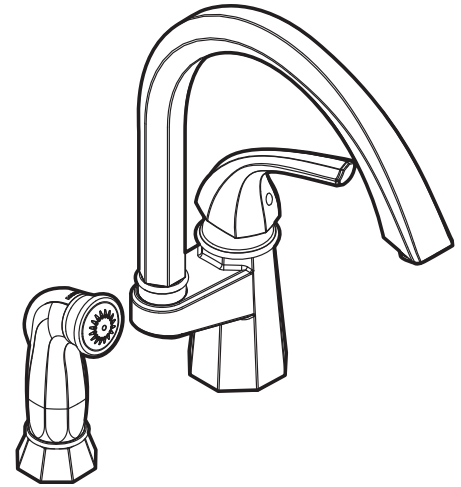
- 1225 cartridge design with nonmetallic/nonferrous and stainless steel materials

STANDARDS

- Third party certified to ASME A112.18.1/CSA B125.1 and all applicable requirements therein including NSF 61/9
- Complies with California Proposition 65 and with the Federal Water Drinking Act
- ADA  for lever handles

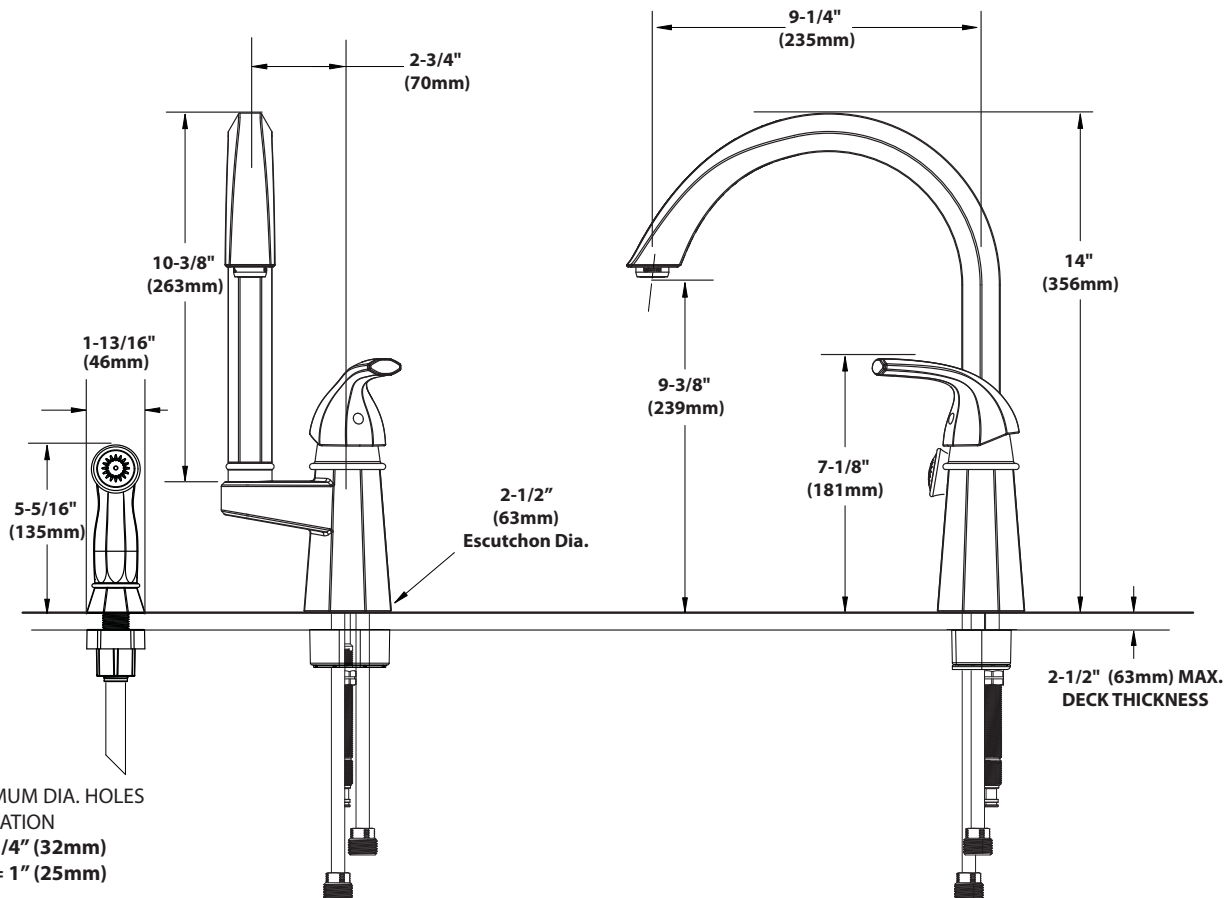
WARRANTY

- Lifetime limited warranty against leaks, drips and finish defects to the original consumer purchaser
- 5 year warranty if used in commercial installations



Single-Handle Kitchen Faucet

Models: S741 series



NOTE: MINIMUM DIA. HOLES FOR INSTALLATION

Faucet = 1-1/4" (32mm)
Side Spray = 1" (25mm)

CRITICAL DIMENSIONS

(DO NOT SCALE)