



Buy it for looks. Buy it for life.®

# Specifications

## DESCRIPTION

- Metal construction with various finishes identified by suffix
- 1/2" IPS connections will accept standard ball nose connection for 3/8" tubing
- Includes optional hot and cold temperature indicators
- Includes metal pop-up waste assembly
- Designed to be installed through 3, 1" min. dia. holes

## OPERATION

- Lever style handles
- Maximum handle rotation angle is 90° to full on for either handle
- Rotate hot side handle counterclockwise to open and clockwise to close
- Rotate cold side handle clockwise to open and counterclockwise to close

## FLOW

- Flow is limited to 1.5 gpm max (5.7 L/min) at 60 psi

## CARTRIDGE

- 1224 cartridge design
- Nonmetallic/nonferrous and stainless steel materials

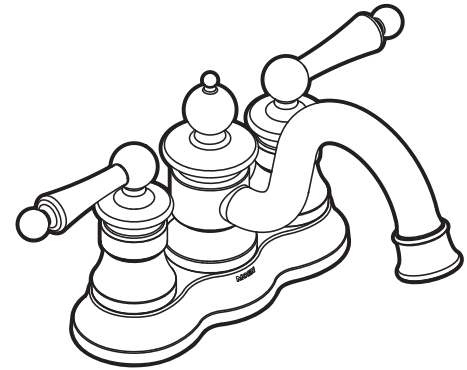
## STANDARDS

- Third party certified to WaterSense,® CSA B125.1, ASME A112.18.1, ANSI A117.1 and all applicable requirements referenced therein
- Certified to ANSI/NSF 61/9
- Contains no more than 0.25% weighted average lead content
- Complies with California Proposition 65 and with the Federal Safe Drinking Water Act

- ADA  for lever handle

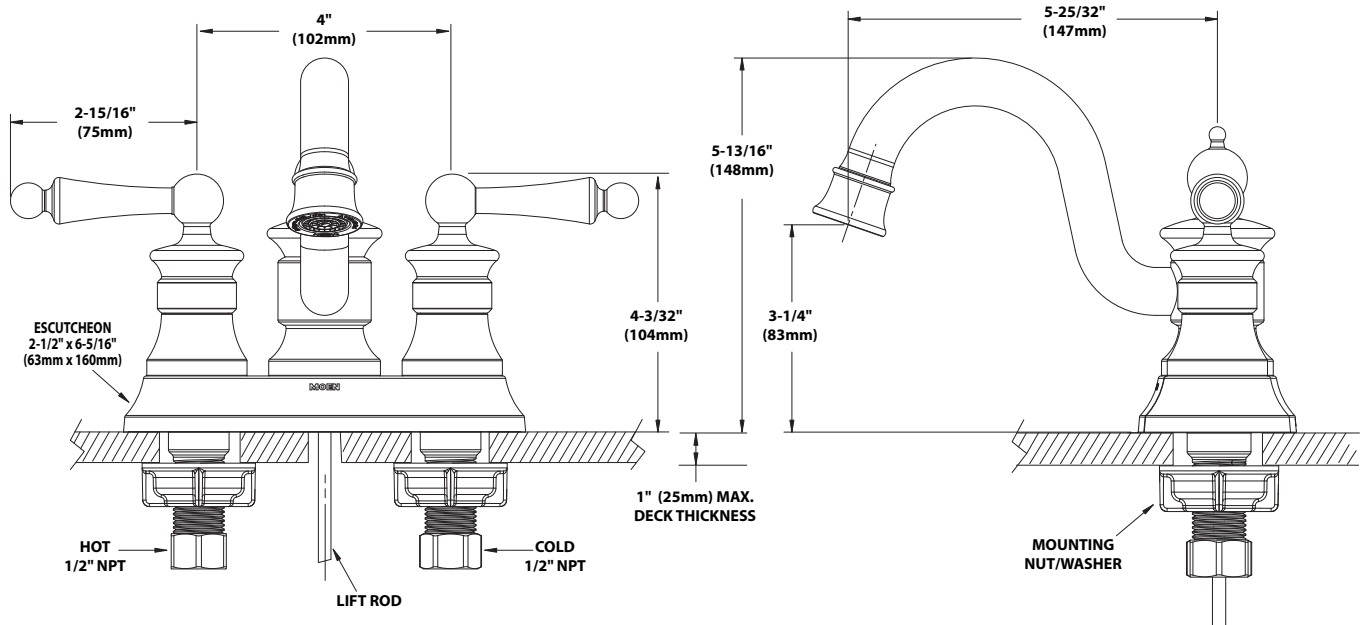
## WARRANTY

- Lifetime limited warranty against leaks, drips and finish defects to the original consumer purchaser
- 5 year warranty if used in commercial installations



## Waterhill™ Two-Handle Lavatory Faucet

Models: S412 series



## CRITICAL DIMENSIONS

(DO NOT SCALE)

FOR MORE INFORMATION CALL: 1-800-BUY-MOEN

www.moen.com