

DESCRIPTION

- Metal construction with chrome plated and LifeShine® brushed nickel finishes
- 3/4" IPS connection
- Includes 7" rainshower showerhead, arm and flange
- With integral checkstops

OPERATION

- Flow lever operates counterclockwise through a 90 degree arc with off at 6 o'clock and maximum flow at the 3 o'clock position. Shut off in clockwise direction
- Temperature lever operates through a 340 degree arc with maximum cold at full clockwise rotation and maximum hot at full counterclockwise rotation
- Safety stop preset temperature at 105 degrees F (41degrees C)
- Safety stop override allows maximum temperature at 120 degrees F (49 degrees C)
- Factory established temperature range from 70 degrees F (21 degrees C) to 120 degrees F (49 degrees C)

FLOW

- Showerhead is limited to 2.5 gpm (9.5 L/min)

CARTRIDGE

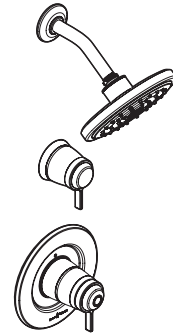
- 130156 thermostatic cartridge design with non metallic/nonferrous materials
- 130157 volume ceramic disc cartridge design

STANDARDS

- Third party certified to meet CSA B-125, ASME A112.18.1M and all applicable requirements referenced therein including ASSE1016

WARRANTY

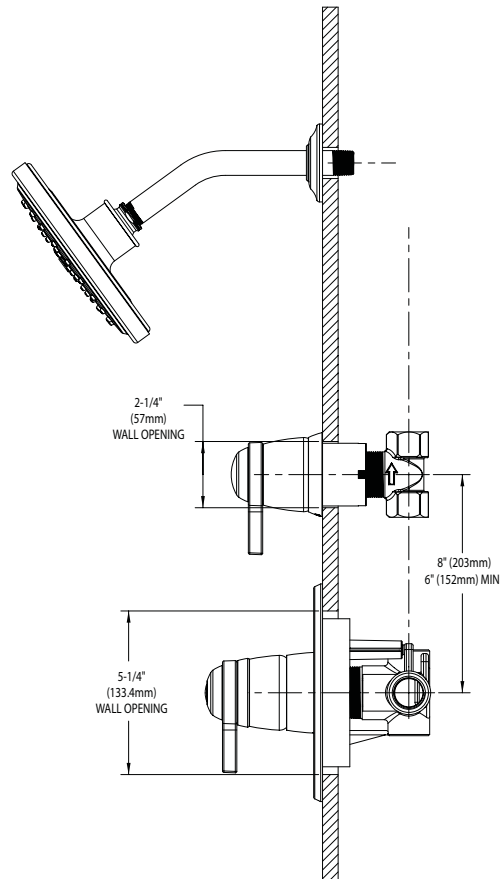
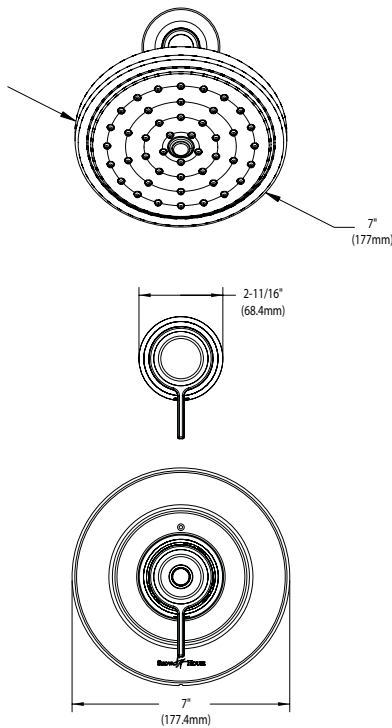
- Lifetime limited warranty against leaks, drips and finish defects to the original consumer purchaser
- 5 year warranty if used in commercial installation



Solace™

ExactTemp® 3/4" Thermostatic Shower

Models: S3712, S3712BN



CRITICAL DIMENSIONS

(DO NOT SCALE)