



Buy it for looks. Buy it for life.®

Specifications

DESCRIPTION

- Handheld shower available in various finishes identified by suffix
- 69" double interlock spiral hose (metal)
- Double check valve in handle
- Adjustable wall bracket

OPERATION

- Single function
- Wall bracket rotates to adjust angle of hand shower

FLOW

- Designed to deliver 2.0 gpm (7.6 L/min) max.
- EP suffix models are limited to 2.0 gpm (7.6 L/min) max for products manufactured prior to June 30, 2018. EP suffix models manufactured after June 30, 2018 are limited to 1.75 gpm (6.7 L/min) max.

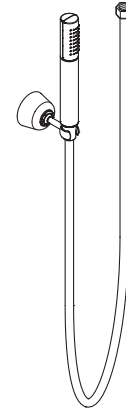
STANDARDS

- Designed and manufactured to comply with the applicable requirements of ASME A112.18.1/CSA B-125.1 and ASSE 1014 and all applicable specifications referenced therein
- EP suffix models are third party certified to WaterSense®

WARRANTY

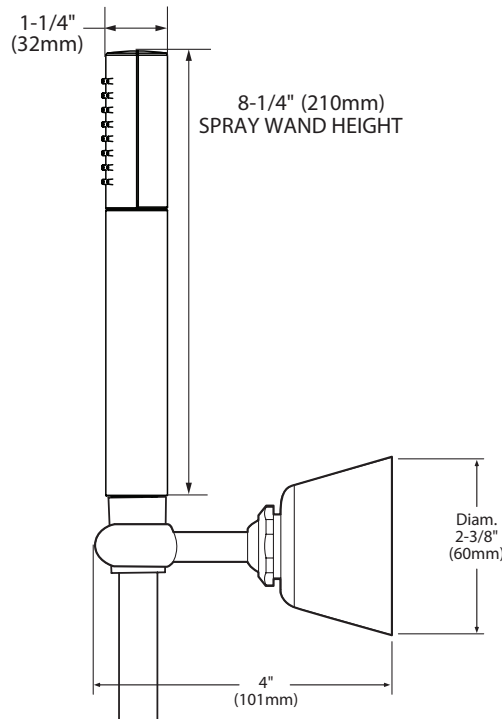
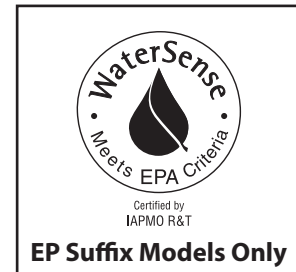
- Lifetime limited warranty against leaks, drips and finish defects to the original homeowner
- 10 year limited warranty when used in a multifamily installation
- 5 year limited warranty when used in a commercial installation

Visit www.moen.com/support for complete details and limitations



Handshower with Bracket & Hose

Models: S11705 series



CRITICAL DIMENSIONS

(DO NOT SCALE)