

## DESCRIPTION

- Metal construction with a chrome plated, LifeShine® polished brass, Black Opal™, Satine™, Classic Gold, or Platinum finish
- Installed on 6" (152mm) to 16" (406mm) centers
- 1/2" IPS connections will accept standard ball nose connection for 3/8" tubing
- Diverter valve includes an integral vacuum breaker
- Includes metal pop-up type waste assembly

## OPERATION

- Lever style handles, 180° rotation (less handle inserts)
- Hot side counterclockwise to open (clockwise to close)
- Cold side clockwise to open (counterclockwise to close)
- Includes hot (red) and cold (blue) color indicators
- Water flow is diverted by turning the knob counter clockwise for fill and clockwise for rosetta spray

## CARTRIDGE

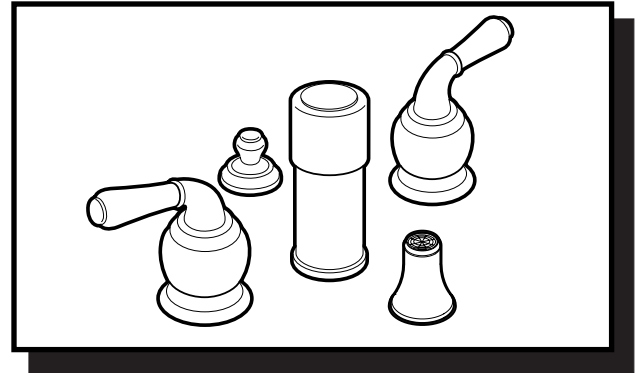
- 94831 diverter cartridge
- 1224 cartridge design for hot and cold valves
- Nonmetallic and stainless steel material

## STANDARDS

- Third party certified by CSA to meet CSA B-125, ASME A112.18.1M and all requirements referenced therein

## WARRANTY

- Lifetime limited warranty against leaks, drips and finish defects to the original consumer purchaser
- 5 year warranty if used in commercial installations



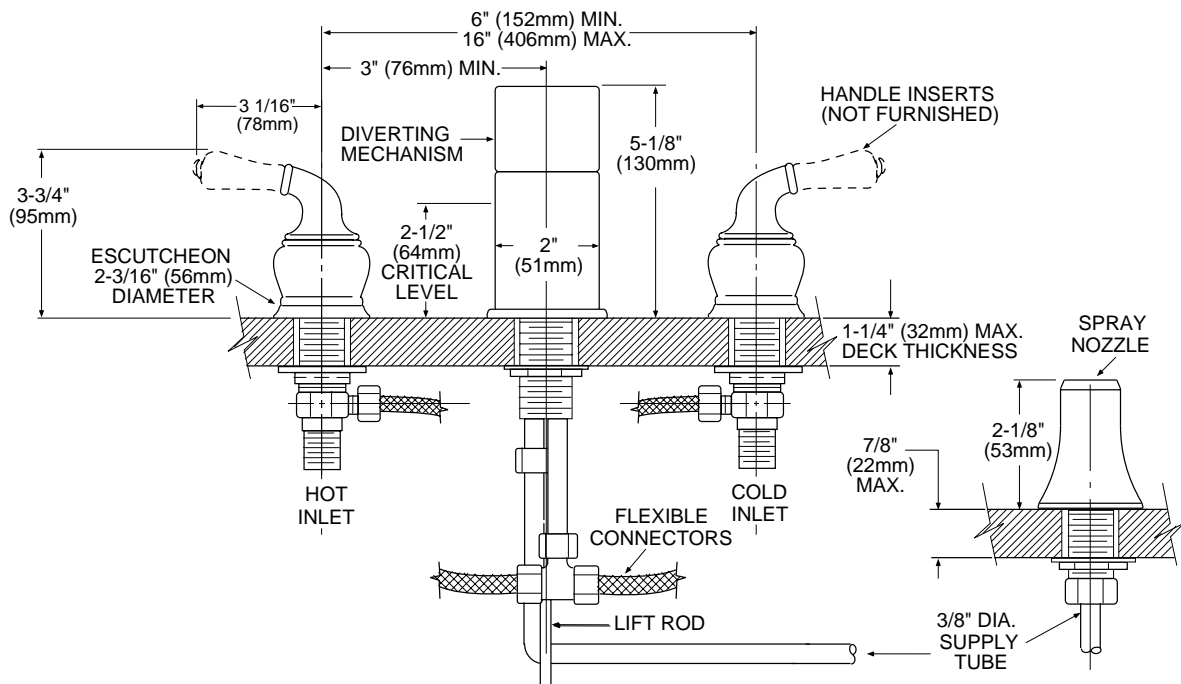
### MONTICELLO®

### Two Handle Bidet with Metal Waste Assembly

Models: RT5270/A5270, RT5270P/A5270P, RT5270PM/A5270PM, RT5270BP/A5270BP, RT5270CG/A5270CG, RT5270ST/A5270ST  
Valve: 9200

**NOTE:** See reverse side for illustrated parts and handle insert options

**NOTE:** Minimum Diameter Holes for Installation  
Diverter Valve - 1" (25mm)  
Handle Valves - 1-1/8" (29mm)  
Spray Nozzle - 5/8" (16mm)  
Lift Rod Escutcheon - 1/2" (13mm)



## CRITICAL DIMENSIONS

(DO NOT SCALE)