

# Contemporary Technical Specification

## Paper Holder

## P5050, P5080

### Stock Numbers:

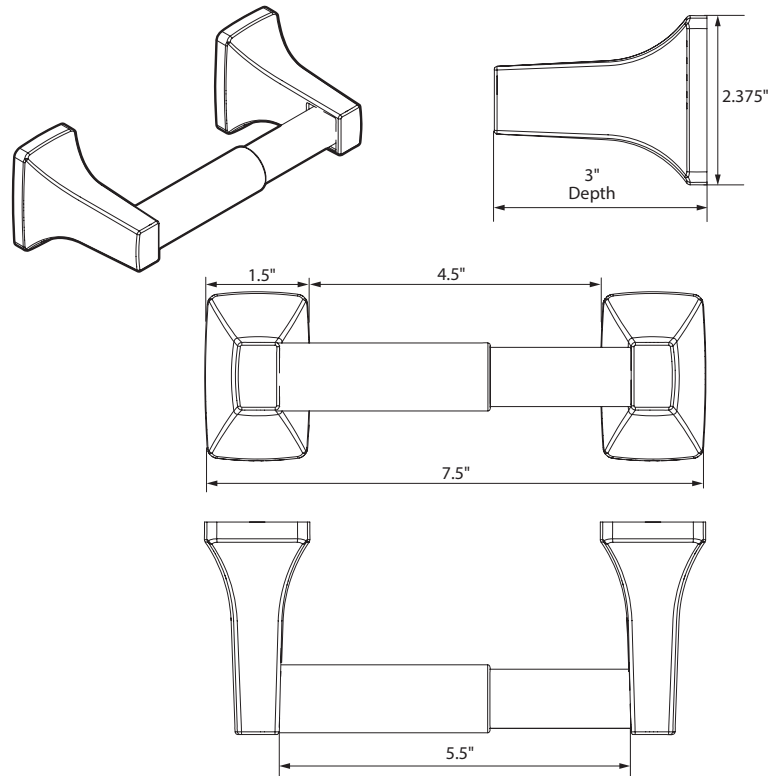
- P5050BN – Paper Holder**  
Brushed Nickel Finish  
Concealed Screw Mounting  
Matching Roller
- P5080BN – Paper Holder**  
Brushed Nickel Finish  
Concealed Screw Mounting  
White Roller

“P” - Poly Bag Packaging

### Materials:

**Paper Holder** posts are die cast from highest quality zinc alloy (zamac). 5050 roller is brushed nickel finished plastic. 5080 roller is white plastic. Both rollers are spring loaded.

### Dimensions:



### Installation Instructions:

1. Remove mounting brackets from back of fixtures by loosening the set screws.
2. Position assembled unit on wall in desired location.
3. Lightly mark the outlines of the bases of the unit.
4. Center mounting brackets inside the outline.
5. Mark hole locations. Attach brackets to wall using 1-3/8" screws (provided).
6. Mount bases on brackets. Tighten set screws on the bottoms.  
Note: Wood blocking is preferable behind all wall surfaces.  
If wood blocking is not available, the following optional fasteners are suggested: Tile/Masonry – Plastic or Lead Anchors; Plaster/Drywall – Toggle Bolts.

### Cleaning Instructions:

To preserve the fine finish of this product, clean only with a soft damp cloth. Dry well. Do not use commercial or abrasive cleaners.

**Stock Number:** \_\_\_\_\_ **Paper Holder**  
By MOEN

# MOEN®

25300 AL MOEN DRIVE • NORTH OLMSTED, OH 44070  
CORPORATE HEADQUARTERS: (800) 321-8809 • FAX: (800) 848-6636  
INTERNATIONAL: (440) 962-2000 • FAX: (440) 962-2726  
CUSTOMER SERVICE (USA): (800) 882-0116 • FAX: (888) 379-2720  
WWW.MOEN.COM ©Copyright Moen, Inc.