

Hamden™ Technical Specification

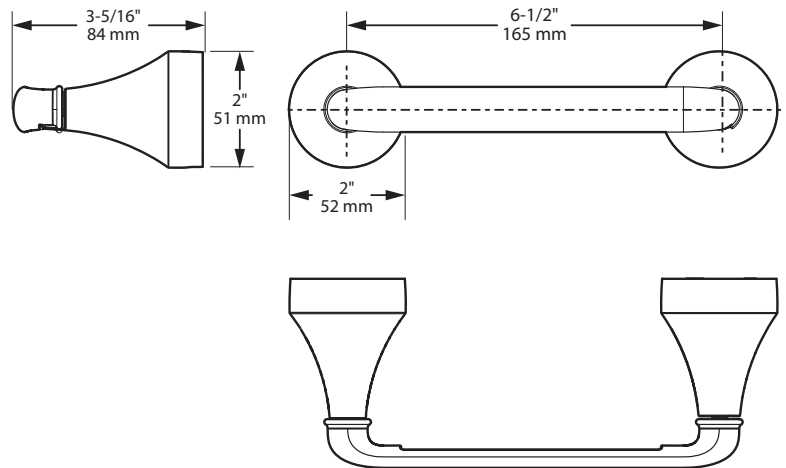
Pivoting Paper Holder

MY6208

Stock Numbers:

- MY6208BN – Paper Holder
Brushed Nickel

Dimensions:



Materials:

Pivoting Paper Holder is constructed of zinc.

Installation Instructions:

1. Position the mounting template on the wall in the desired location. Using a level, align the template and tape it to the wall.
2. Remove both mounting posts by loosening each set screw.
3. Place each mounting posts on the template. The notch should be facing downward. To ensure correct alignment, it is very important that the mounting post is installed straight.
4. One at a time, place each anchor screw through the mounting post, centered in each large hole. Using a Phillips screwdriver, turn the anchor screw while applying pressure. Screw will self-drill and tap into drywall. Only insert screw 1/2 to 3/4 of the way into the wall.
5. After all screws are installed, tear the template away from the wall.
6. Tighten all four screws. Do not over tighten.
7. Place the square back plate over each mounting post.
8. Place each post over the mounting post (set screw down). Pivoting post with bar should be on the left side. Tighten both set screws

Cleaning Instructions:

To preserve the fine finish of this product, clean only with a soft damp cloth. Dry well. Do not use commercial or abrasive cleaners.

Stock Number: _____ **Pivoting Paper Holder**
By Moen Incorporated

MOEN®

25300 AL MOEN DRIVE • NORTH OLMSTED, OH 44070
CORPORATE HEADQUARTERS: (800) 321-8809 • FAX: (800) 848-6636
INTERNATIONAL: (440) 962-2000 • FAX: (440) 962-2726
CUSTOMER SERVICE (USA): 800-882-0116 • FAX: (888) 379-2720
WWW.MOEN.COM

© 2019 Moen Incorporated. Moen is a registered trademark and Hamden is a trademark of Moen Incorporated. All rights reserved.