

# Brigham™ Technical Specification

## 18" & 24" Towel Bar

## MY0418/MY0424

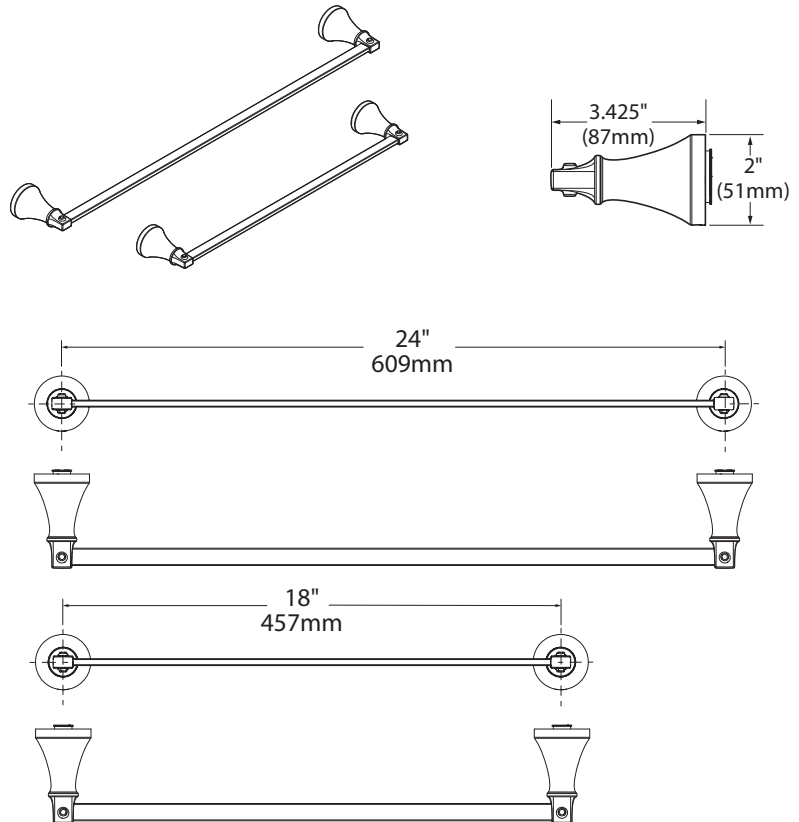
### Stock Numbers:

- **MY0418CH – Towel Bar**  
Chrome Finish
- **MY0418BN – Towel Bar**  
Brushed Nickel Finish
- **MY0418BRB – Towel Bar**  
Mediterranean Bronze Finish
  
- **MY0424CH – Towel Bar**  
Chrome Finish
- **MY0424BN – Towel Bar**  
Brushed Nickel Finish
- **MY0424BRB – Towel Bar**  
Mediterranean Bronze Finish

### Materials:

18" & 24" Towel Bar posts are constructed of zinc. Bar is stainless steel.

### Dimensions:



### Installation Instructions:

1. Remove the mounting post from the body by loosening the set screw.
2. Position the mounting template on the wall in the desired location. Using a level, align the template and tape it to the wall.
3. Drill pilot holes in marked location, remove template from wall
4. Attach mounting post to wall using anchors in predrilled pilot holes
5. Tighten all screws.
6. Place each post over the mounting plate with set screw down. Tighten both set screws.

### Cleaning Instructions:

To preserve the fine finish of this product, clean only with a soft damp cloth. Dry well. Do not use commercial or abrasive cleaners.

**Stock Number:** \_\_\_\_\_ Towel Bar  
By Moen Incorporated

# MOEN®

25300 AL MOEN DRIVE • NORTH OLMSTED, OH 44070  
CORPORATE HEADQUARTERS: (800) 321-8809 • FAX: (800) 848-6636  
INTERNATIONAL: (440) 962-2000 • FAX: (440) 962-2726  
CUSTOMER SERVICE (USA): 800-882-0116 • FAX: (888) 379-2720  
WWW.MOEN.COM

© 2018 Moen Incorporated. Moen is a registered trademark and Brigham is a trademark of Moen Incorporated. All rights reserved.