

Brigham™ Accessories Technical Specification

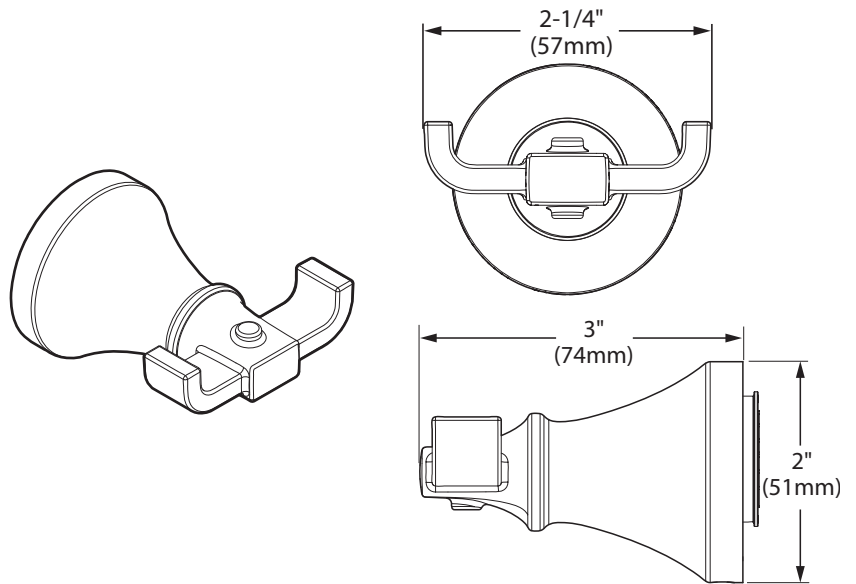
Robe Hook

MY0403

Stock Numbers:

- **YB0403CH – Robe Hook**
Chrome Finish
- **YB0403BN – Robe Hook**
Brushed Nickel Finish
- **YB0403RBR – Robe Hook**
Mediterranean Bronze Finish

Dimensions:



Materials:

Robe Hook is constructed of zinc.

Installation Instructions:

This product features the Pro+Fit Installation Mounting System. If you do not have the Pro+Fit Installation Template please use the following instructions. (Note: only one hole is required per mounting post.)

1. Mark on the wall where you want to install the product.
2. Using 1/4" drill bit, drill one pilot hole for the post.
3. Position mounting post to wall by inserting wall anchor into pilot hole and pressing firmly.
4. Make sure that locking tab on mounting post is facing down (6 o'clock).
5. Tighten wall anchor screw while holding mounting post firmly in place. DO NOT over tighten (6 – 8 full turns will secure the anchor).
6. Attach post by pressing firmly to mounting post until it clicks. (The square opening at the base of the post must be facing down to match-up with locking tab.)

If you are mounting any parts into a hard surface snap off the anti-rotation fins on the back of the mounting post.

Cleaning Instructions:

To preserve the fine finish of this product, clean only with a soft damp cloth. Dry well. Do not use commercial or abrasive cleaners.

Stock Number: _____ **Robe Hook**
By Moen Incorporated

MOEN®

25300 AL MOEN DRIVE • NORTH OLMSTED, OH 44070
CORPORATE HEADQUARTERS: (800) 321-8809 • FAX: (800) 848-6636
INTERNATIONAL: (440) 962-2000 • FAX: (440) 962-2726
CUSTOMER SERVICE (USA): 800-882-0116 • FAX: (888) 379-2720
WWW.MOEN.COM
© Copyright Moen Incorporated