



Buy it for looks. Buy it for life.®

Specifications

Model Number	Faucet Holes	Depth-Inches	Drain Placement	Includes
KG2045622 <i>(pictured)</i>	2	5-1/2"	Center	Drain, Strainer
TG2045622	2	5-1/2"	Center	Faucet, Drain, Strainer



SINK DESCRIPTION

- 2000 Series single bowl drop-in sink
- 20 gauge stainless steel, brushed finish
- U-channel mounting system, hardware included
- Sealite integrated drain assembly included
- SoundSHIELD™ sound absorbing system

WARRANTY

- Lifetime limited warranty to the original homeowner
- 10 year limited warranty when used in a Multi-family installation
- 5 year limited warranty when used in a Commercial installation
- Visit www.moen.com/customer-support/warranty for complete details and limitations

SINK DIMENSIONS

- Overall: 15" x 15"
- Bowl: 12" x 10"
- Drain Size: 2"

CUT OUT DIMENSIONS

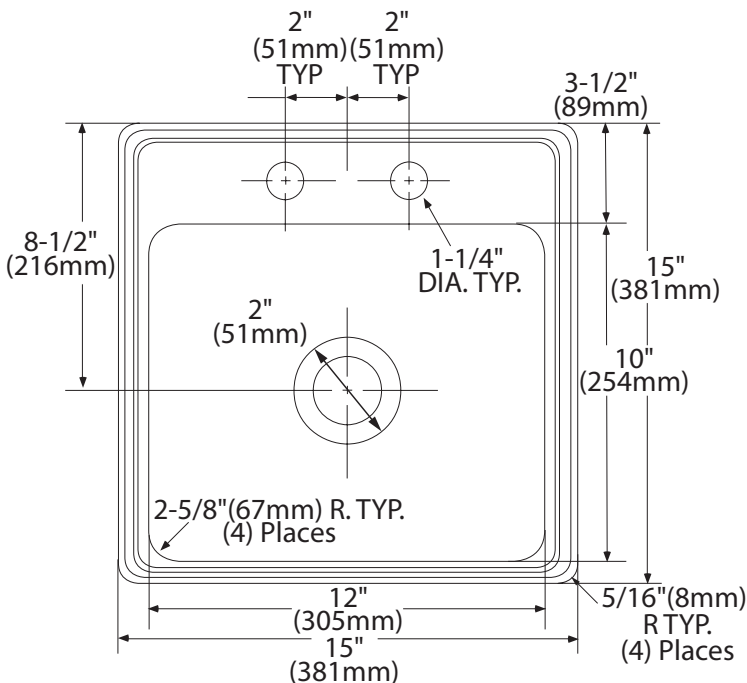
- 14-1/2" x 14-1/2" with 3/8" corner radius, tolerance of plus or minus 1/16" is acceptable

STANDARDS

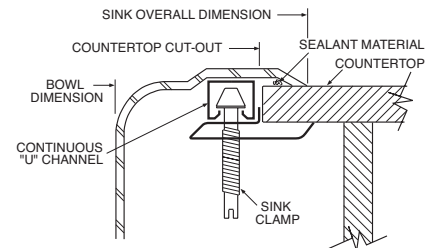
- Third party certified to meet ASME A112.19.3/CSA B45.4 and all applicable specifications referenced therein

CRITICAL DIMENSIONS

(DO NOT SCALE)



Installation Detail



MADE IN THE USA