



Buy it for looks. Buy it for life.®

There is more than 1 version of this model. Identify the manufacturing date of your sink and refer to the proper drawing.

Model Number	Faucet Holes	Depth-Inches	Drain Placement	Includes
KG2045522 <i>(pictured)</i>	2	5-1/2"	Center	Drain, Strainer
TG2045522	2	5-1/2"	Center	Faucet, Drain, Strainer

Specifications



SINK DESCRIPTION

- 2000 Series single bowl drop-in sink
- 20 gauge stainless steel, brushed finish
- U-channel mounting system, hardware included
- Sealtite integrated drain assembly included
- SoundSHIELD™ sound absorbing system

WARRANTY

- Lifetime limited warranty to the original homeowner
- 10 year limited warranty when used in a Multi-family installation
- 5 year limited warranty when used in a Commercial installation
- Visit www.moen.com/customer-support/warranty for complete details and limitations

(FOR SINKS MANUFACTURED AFTER 9/1/2016)

SINK DIMENSIONS

- Overall: 16-3/8" x 17-3/8"
- Bowl: 10" x 12"
- Drain Size: 2"

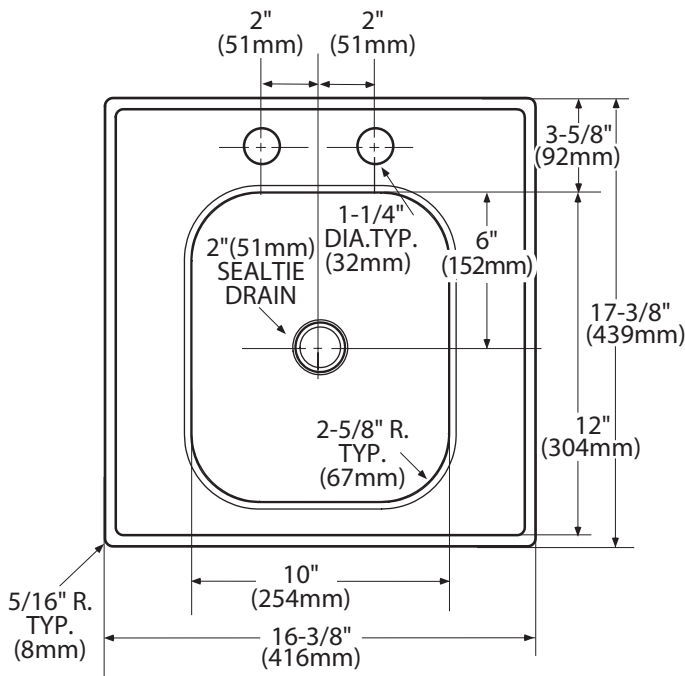
CUT OUT DIMENSIONS

- 15-7/8" x 16-13/16" with 3/8" corner radius, tolerance of plus or minus 1/16" is acceptable

STANDARDS

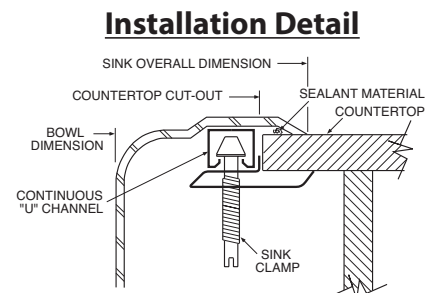
- Third party certified to meet ASME A112.19.3/CSA B45.4 and all applicable specifications referenced therein

(FOR SINKS MANUFACTURED AFTER 9/1/2016)



CRITICAL DIMENSIONS

(DO NOT SCALE)



MADE IN THE USA



Buy it for looks. Buy it for life.®

There is more than 1 version of this model. Identify the manufacturing date of your sink and refer to the proper drawing.

Specifications



Model Number	Faucet Holes	Depth-Inches	Drain Placement	Includes
KG2045522 <i>(pictured)</i>	2	5-1/2"	Center	Drain, Strainer
TG2045522	2	5-1/2"	Center	Faucet, Drain, Strainer

SINK DESCRIPTION

- 2000 Series single bowl drop-in sink
- 20 gauge stainless steel, brushed finish
- U-channel mounting system, hardware included
- Sealtite integrated drain assembly included
- SoundSHIELD™ sound absorbing system

WARRANTY

- Lifetime limited warranty to the original homeowner
- 10 year limited warranty when used in a Multi-family installation
- 5 year limited warranty when used in a Commercial installation
- Visit www.moen.com/customer-support/warranty for complete details and limitations

(FOR SINKS MANUFACTURED BEFORE 9/1/2016)

SINK DIMENSIONS

- Overall: 13" x 17-1/8"
- Bowl: 10" x 12"
- Drain Size: 2"

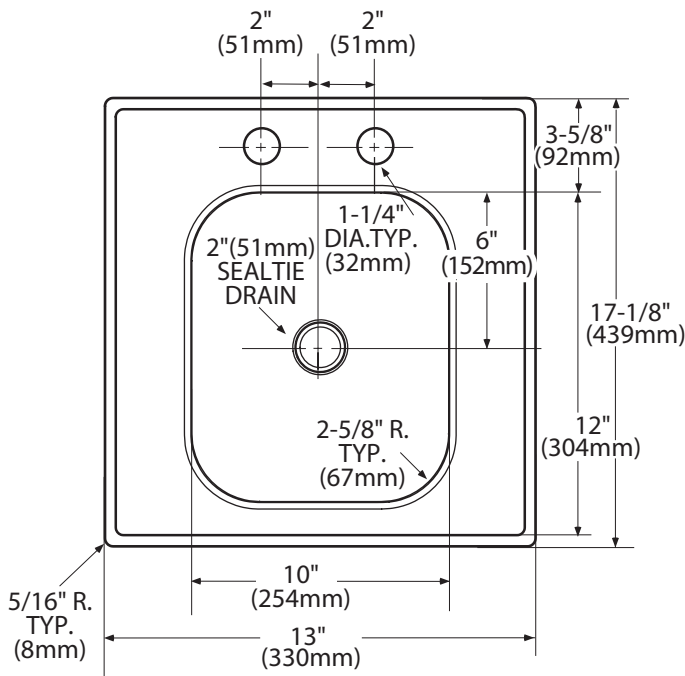
CUT OUT DIMENSIONS

- 12-1/2" x 16-5/8" with 3/8" corner radius, tolerance of plus or minus 1/16" is acceptable

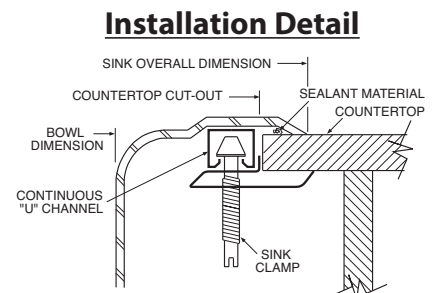
STANDARDS

- Third party certified to meet ASME A112.19.3/CSA B45.4 and all applicable specifications referenced therein

(FOR SINKS MANUFACTURED BEFORE 9/1/2016)



CRITICAL DIMENSIONS (DO NOT SCALE)



MADE IN THE USA