



Buy it for looks. Buy it for life.®

*There is more than 1 version of this model.
Identify the manufacturing date of your sink
and refer to the proper drawing.*

Model Number	Faucet Holes	Depth-Inches	Drain Placement
G204573 (pictured)	3	7"	Center
G204571	1	7"	Center

SINK DESCRIPTION

- 2000 Series single bowl drop-in sink
- 20 gauge stainless steel, brushed finish
- U-channel mounting system, hardware included
- SoundSHIELD™ sound absorbing system

WARRANTY

- Lifetime limited warranty to the original homeowner
- 10 year limited warranty when used in a Multi-family installation
- 5 year limited warranty when used in a Commercial installation
- Visit www.moen.com/customer-support/warranty for complete details and limitations

Specifications



FOR SINKS MANUFACTURED AFTER 9/1/2016

SINK DIMENSIONS

- Overall: 17-5/16" x 22-5/16"
- Bowl: 14" x 16"
- Drain Size: 3-1/2"

CUT OUT DIMENSIONS

- 16-13/16" x 21-13/16" with 1-1/2" corner radius, a tolerance of plus or minus 1/16" is acceptable

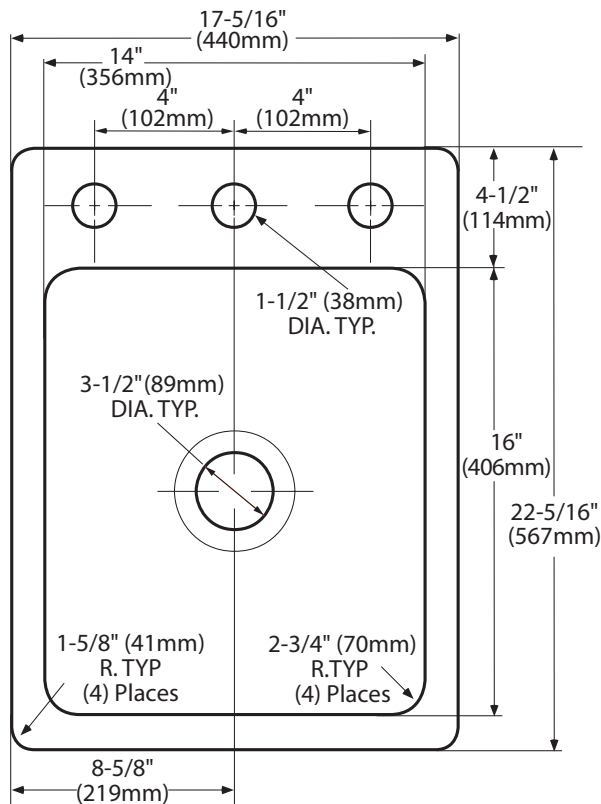
STANDARDS

- Third party certified to meet ASME A112.19.3/CSA B45.4 and all applicable specifications referenced therein

CRITICAL DIMENSIONS

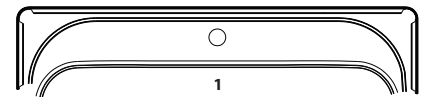
(DO NOT SCALE)

(FOR SINKS MANUFACTURED AFTER 9/1/2016)

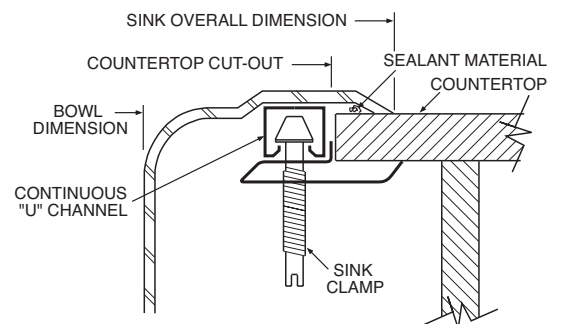


Faucet Hole Configurations

1-1/2" (38mm) Diameter faucet holes
2" (102mm) Center



Installation Detail



MADE IN THE USA



Buy it for looks. Buy it for life.®

*There is more than 1 version of this model.
Identify the manufacturing date of your sink
and refer to the proper drawing.*

Model Number	Faucet Holes	Depth-Inches	Drain Placement
G204573 (pictured)	3	7"	Center
G204571	1	7"	Center

SINK DESCRIPTION

- 2000 Series single bowl drop-in sink
- 20 gauge stainless steel, brushed finish
- U-channel mounting system, hardware included
- SoundSHIELD™ sound absorbing system

WARRANTY

- Lifetime limited warranty to the original homeowner
- 10 year limited warranty when used in a Multi-family installation
- 5 year limited warranty when used in a Commercial installation
- Visit www.moen.com/customer-support/warranty for complete details and limitations

Specifications



FOR SINKS MANUFACTURED BEFORE 9/1/2016

SINK DIMENSIONS

- Overall: 17" x 22"
- Bowl: 14" x 16"
- Drain Size: 3-1/2"

CUT OUT DIMENSIONS

- 16-1/2" x 21-1/2" with 3/8" corner radius, a tolerance of plus or minus 1/16" is acceptable

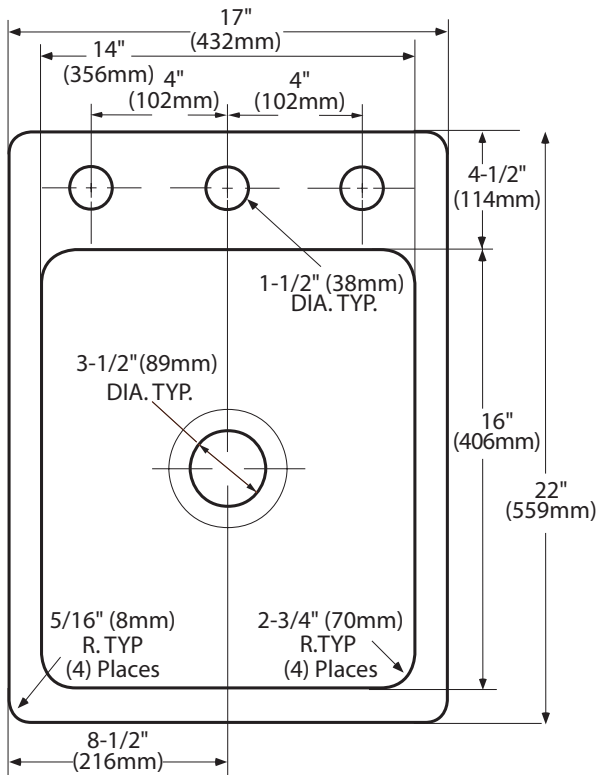
STANDARDS

- Third party certified to meet ASME A112.19.3/CSA B45.4 and all applicable specifications referenced therein

CRITICAL DIMENSIONS

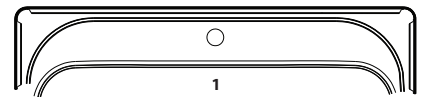
(DO NOT SCALE)

(FOR SINKS MANUFACTURED BEFORE 9/1/2016)

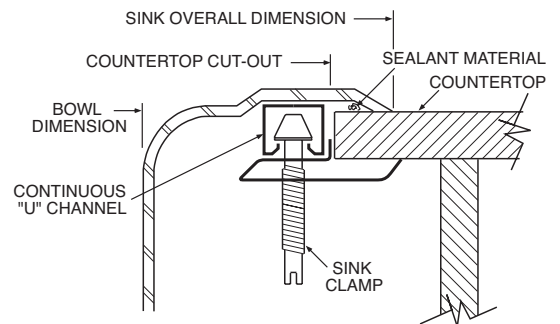


Faucet Hole Configurations

1-1/2" (38mm) Diameter faucet holes
2" (102mm) Center



Installation Detail



MADE IN THE USA