

Model Number	Faucet Holes	Depth-Inches	Drain Placement	ADA/FHA Compliant*
G202852BQ	2	L: 5-1/2", R: 6-1/2"	Rear	ADA/FHA
G202853BQ	3	L: 5-1/2", R: 6-1/2"	Rear	ADA/FHA
G202854BQ <i>(pictured)</i>	4	L: 5-1/2", R: 6-1/2"	Rear	ADA/FHA
G202864Q	4	L: 5-1/2", R: 8"	Center	No
G202861Q	1	L: 5-1/2", R: 8"	Center	No



### SINK DESCRIPTION

- 2000 Series single bowl drop-in sink
- 20 gauge stainless steel, matte bowl finish
- U-channel mounting system, hardware included
- QuickMount™ installation included
- SoundSHIELD™ sound absorbing system

### WARRANTY

- Lifetime limited warranty to the original homeowner
- 10 year limited warranty when used in a Multi-family installation
- 5 year limited warranty when used in a Commercial installation
- Visit [www.moen.com/customer-support/warranty](http://www.moen.com/customer-support/warranty) for complete details and limitations

### SINK DIMENSIONS

- Overall: 33"x 22"
- Left Bowl: 7-1/2" x 16"
- Right Bowl: 21-1/4" x 16"
- Drain Size: 3-5/8"

### CUT OUT DIMENSIONS

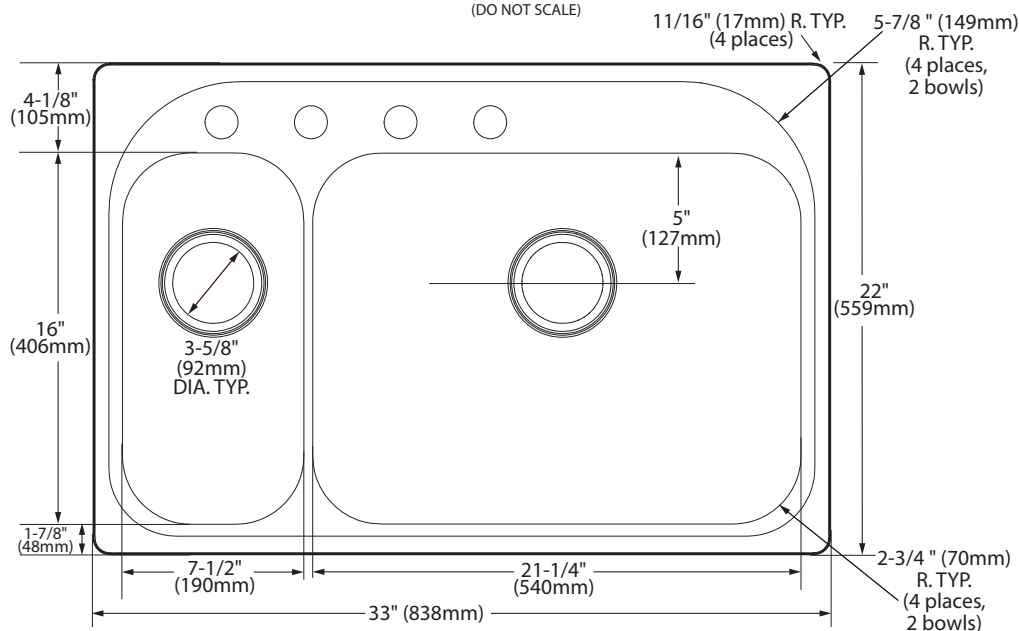
- 32-1/2" x 21-1/2" with 11/16" corner radius, tolerance of plus or minus 1/16" is acceptable

### STANDARDS

- Third party certified to meet ASME A112.19.3/CSA B45.4 and all applicable specifications referenced therein
- \***ADA/FHA** Sink compliant to ADA (ICC A117.1) and FHA accessibility specifications when installed to these required standards. Always consult with your local building department for the specific installation requirements.
- \***FHA** Sink compliant to FHA accessibility specifications when installed to these required standards. Always consult with your local building department for the specific installation requirements.

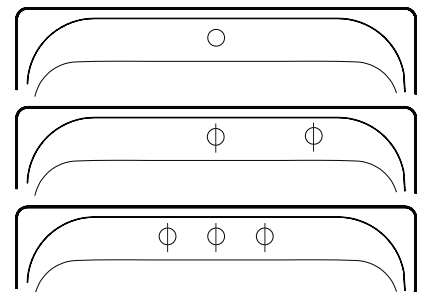
## CRITICAL DIMENSIONS

(DO NOT SCALE)

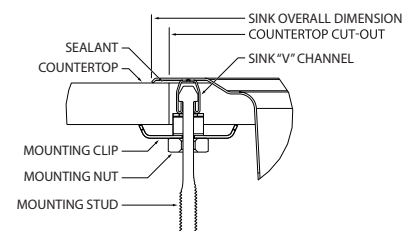


### Faucet Hole Configurations

1-1/2" (38mm) diameter faucet holes  
4" (102mm) Center  
8" (203mm) centers for 2 hole sink



### Installation Detail



MADE IN THE USA