



Buy it for looks. Buy it for life.®

Specifications



Model Number	Faucet Holes	Depth-Inches	Drain Placement
G20273	N/A	L: 7-1/2", R: 5-1/2"	Center

SINK DESCRIPTION

- 2000 Series double bowl undermount sink
- 20 gauge stainless steel, matte bowl finish
- Mounting brackets included, no other hardware included
- SoundSHIELD™ sound absorbing system

WARRANTY

- Lifetime limited warranty to the original homeowner
- 10 year limited warranty when used in a Multi-family installation
- 5 year limited warranty when used in a Commercial installation
- Visit www.moen.com/customer-support/warranty for complete details and limitations

SINK DIMENSIONS

- Overall: 24-3/4" x 18"
- Left Bowl: 14" x 16"
- Right Bowl: 7-1/2" x 16"
- Drain Size: 3-5/8"

CUT OUT DIMENSIONS

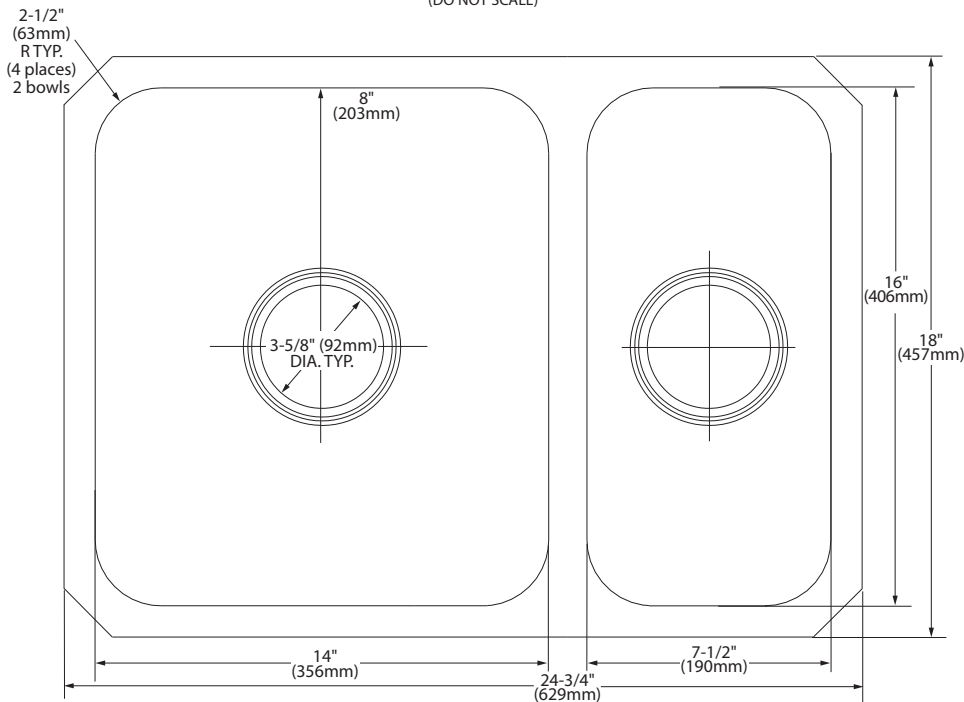
- Cut out template included
- Template ordering number 22002

STANDARDS

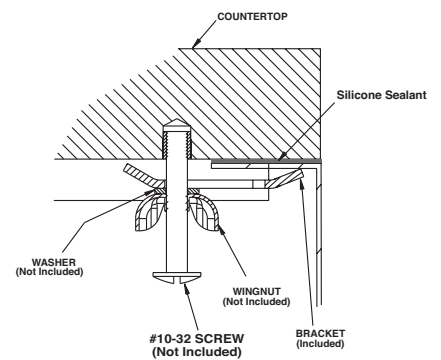
- Third party certified to meet ASME A112.19.3/CSA B45.4 and all applicable specifications referenced therein

CRITICAL DIMENSIONS

(DO NOT SCALE)



Installation Detail



MADE IN THE USA