

MOEN®

Specifications

Model Number	Faucet Holes	Depth-Inches	Drain Placement	ADA/FHA Compliant*
G201961BQ	1	7"	Rear	FHA
G201962BQ	2	7"	Rear	FHA
G201963BQ <i>(pictured)</i>	3	7"	Rear	FHA
G201963Q	3	7"	Center	No
G201964BQ	4	7"	Rear	FHA
G201964Q	4	7"	Center	No
G201974LQ	4	5-1/2"	Rear (Left)	ADA/FHA
G201974RQ	4	5-1/2"	Rear (Right)	ADA/FHA
G201974BQ	4	5-1/2"	Rear (Center)	ADA/FHA



SINK DESCRIPTION

- 2000 Series single bowl drop-in sink
- 20 gauge stainless steel, matte bowl finish
- U-channel mounting system, hardware included
- QuickMount™ installation included
- SoundSHIELD™ sound absorbing system

WARRANTY

- Lifetime limited warranty to the original homeowner
- 10 year limited warranty when used in a Multi-family installation
- 5 year limited warranty when used in a Commercial installation
- Visit www.moen.com/customer-support/warranty for complete details and limitations

SINK DIMENSIONS

- Overall: 25" x 22"
- Bowl: 21" x 16"
- Drain Size: 3-5/8"
- Faucet Holes
 - 1-1/2" (38mm) diameter
 - 4" (102mm) center
 - 8" (203mm) centers for 2 hole

CUT OUT DIMENSIONS

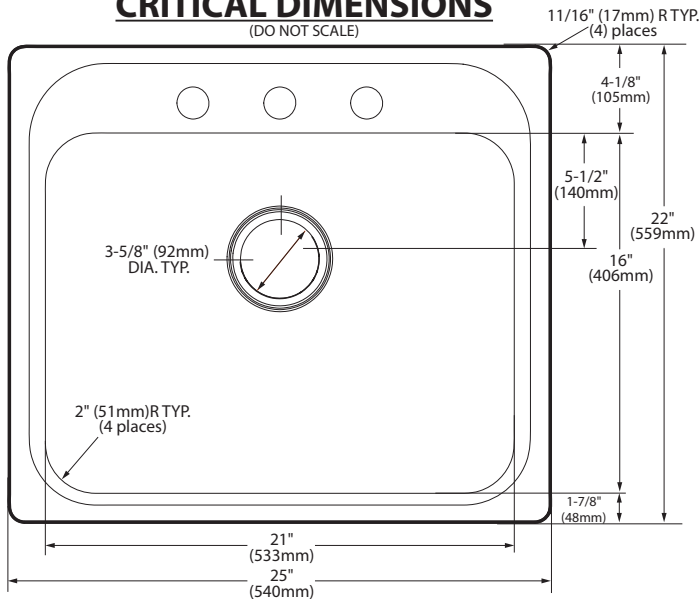
- 24-1/2" x 21-1/2" with 11/16" corner radius, tolerance of plus or minus 1/16" is acceptable

STANDARDS

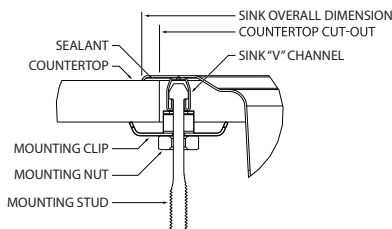
- Third party certified to meet ASME A112.19.3/CSA B45.4 and all applicable specifications referenced therein
- ***ADA/FHA** Sink compliant to ADA (ICC A117.1) and FHA accessibility specifications when installed to these required standards. Always consult with your local building department for the specific installation requirements.
- ***FHA** Sink compliant to FHA accessibility specifications when installed to these required standards. Always consult with your local building department for the specific installation requirements.

CRITICAL DIMENSIONS

(DO NOT SCALE)

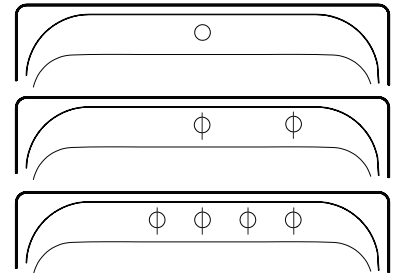


Installation Detail

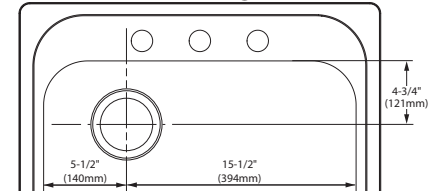


MADE IN THE USA

Faucet Hole Configurations



Left Rear Configuration



Right Rear Configuration

