



Buy it for looks. Buy it for life.®

Specifications



Model Number	Faucet Holes	Depth-Inches	Drain Placement
G18231 (pictured)	N/A	L:10", R:8"	Center
<i>Discontinued - 2/18</i>			
G18232	N/A	8"	Center

SINK DESCRIPTION

- 1800 Series double bowl undermount sink
- 18 gauge stainless steel, brushed finish
- Mounting brackets included, no other hardware included
- SoundSHIELD™ sound absorbing system

WARRANTY

- Lifetime limited warranty to the original homeowner
- 10 year limited warranty when used in a Multi-family installation
- 5 year limited warranty when used in a Commercial installation
- Visit www.moen.com/customer-support/warranty for complete details and limitations

SINK DIMENSIONS

- Overall: Offset Bowls 32" x 20-5/8"
- Left Bowl: 14" x 18"
- Right Bowl: 14" x 16"
- Drain Size: 3-5/8"

CUT OUT DIMENSIONS

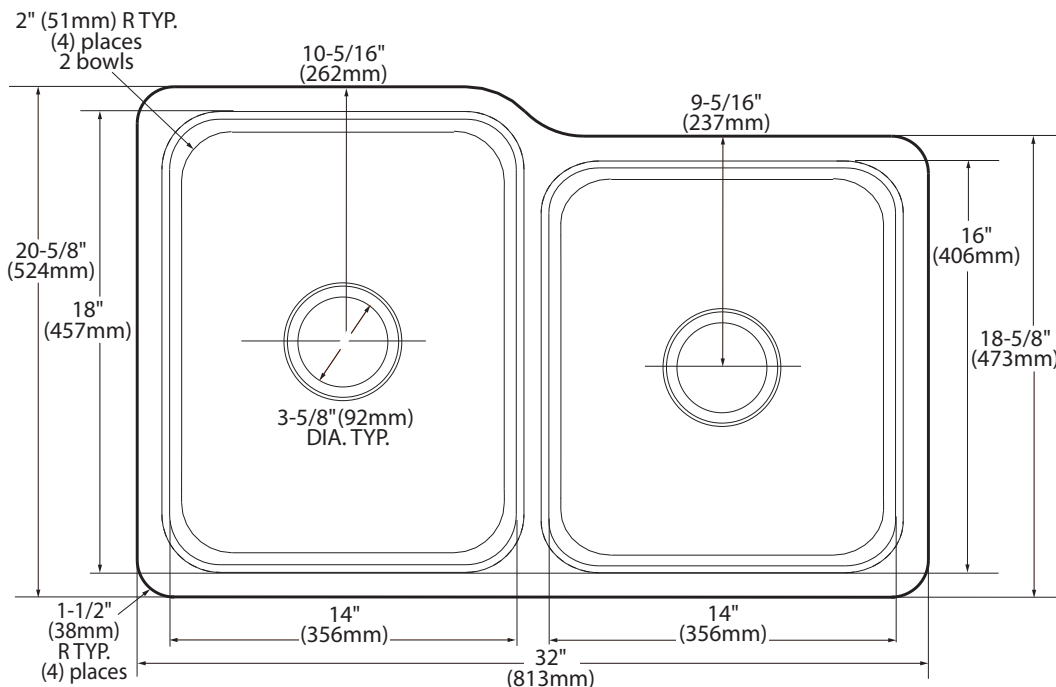
- Cut out template included with the sink
- Template ordering number 22509 for G18231, 22542 for G18232

STANDARDS

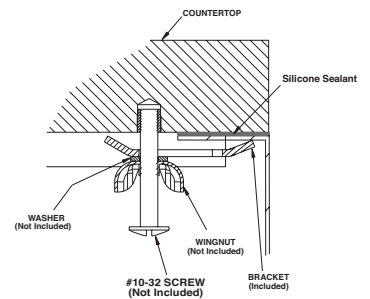
- Third party certified to meet ASME A112.19.3/CSA B45.4 and all applicable specifications referenced therein

CRITICAL DIMENSIONS

(DO NOT SCALE)



Installation Detail



MADE IN THE USA