

# MOEN®

The *Host* Series

## Specifications

### Disposal Description

- Part of the Moen Disposal Host™ Series: for advanced cleanup power. Includes enhanced features, powerful performance and reliable functionality.
- 360° Clean Rinse design eliminates odors
- Fast Track™ enhanced features for faster installation
  - Simple Snap Tool quickly secures mounting assembly
  - Easy Open Dishwasher Inlet: no tools required
- 3/4 Horsepower VORTEX™ Motor has powerful grinding capabilities to eliminate tough kitchen scraps. Motor technology designed to help reduce jamming
- Universal Xpress Mount™ fits all Moen and most existing 3-bolt mounting assemblies
- Pre-installed power cord - a savings over models where cord must be purchased separately, cord easily removes for optional hardwiring
- SoundSHIELD™ sound deadening insulation
- Compact design frees up space under the sink
- Manual Reset Button
- Garbage disposals reduce waste sent to landfills making it an eco-friendly option for your home
- Continuous feed with stainless steel turntable & galvanized grind components

### Included Components

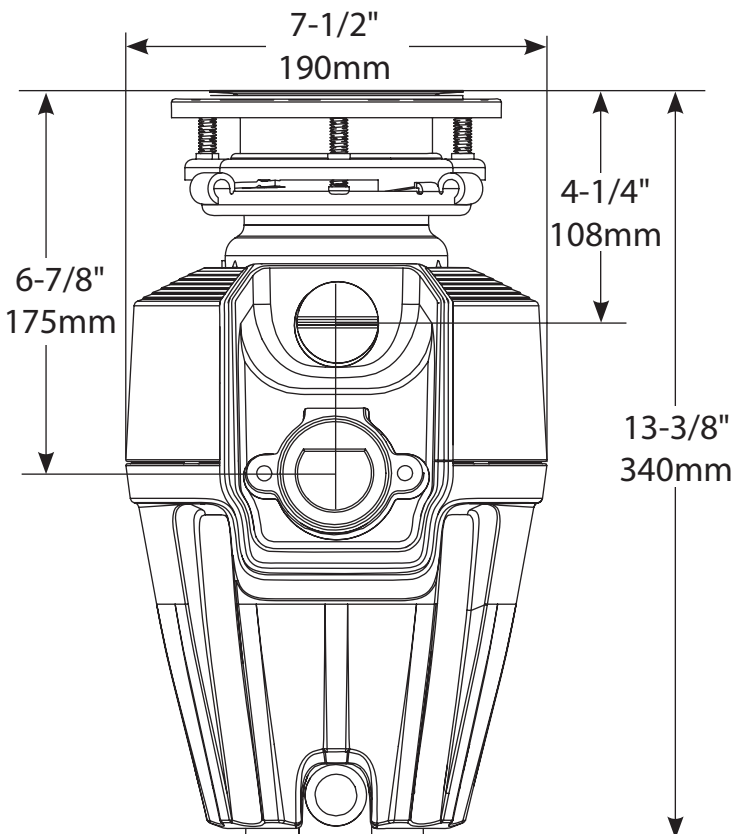
- EX75c Disposal Unit with Universal Xpress Mount™
- Pre-installed Power Cord, Hardwire Capable
- Removable Splash Guard
- Polished Stainless Steel Sink Flange and Drain Stopper
- Drain Elbow and Mounting Assembly
- Simple Snap tool
- Dishwasher inlet

### Warranty & Assurance

- 10 year limited warranty with in-home service
- Safe for use with properly sized septic systems



Model: EX75c



| Specification Detail         |  |
|------------------------------|--|
| Horsepower                   | 3/4 HP   |
| Feed Type                    | Continuous                                       |
| On/Off Controls              | Wall Switch                                      |
| Motor Type                   | Permanent Magnet Motor                           |
| RPM (Revolutions Per Minute) | 2700   |
| Weight                       | 9.25 lbs/ 4.2 kg                                 |
| Volts                        | 115  |
| Hz/Amps                      | 60/4.5   |
| Drain Connection Size        | 1 1/2" / 38mm                                    |
| Dishwasher Connection Size   | 7/8" / 22mm                                      |
| Maximum Sink Thickness       | 1/2" / 13mm                                      |
| Sink Drain Flange Finish     | Stainless Steel                                  |
| Turntable Material           | Stainless Steel                                  |
| Grind Component Material     | Galvanized Steel                                 |
| Grind Chamber Material       | Corrosion Proof Glass Filled Polyester and Nylon |