

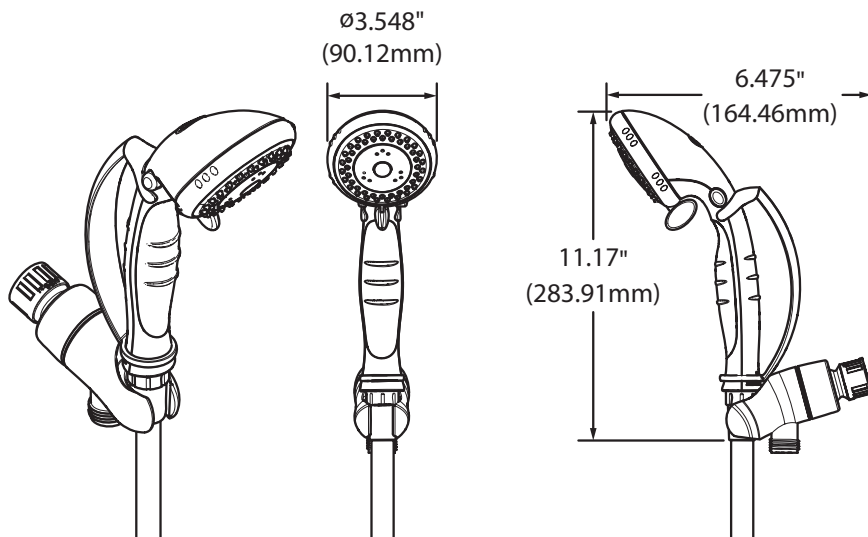
# Home Care Technical Specification

## Pause Control Handheld Shower DN8001CA

### Stock Numbers:

- DN8001CA – Pause Control Handheld Shower  
Glacier Finish

### Dimensions:



### Materials:

Hand Held Shower is made of ABS Plastic and Santoprene.

Flow Rate of 1.75 gpm (6.6 L/min.)



ASSEMBLY TESTED  
TO CONFIRM ADA  
COMPLIANCE

### Installation Instructions:

1. Remove the existing cradle or showerhead from the wall by unscrewing (counter clockwise) the product from the end of the shower arm.
2. Cover the thread of the pipe coming out of the wall with thread seal tape (included).
3. Screw the Pause Control Handheld shower cradle on to the pipe (shower arm) coming out of the wall.
4. Identify the end of the hose with the black washer inside the plastic nut and screw the hose onto the bottom of the cradle.
5. Screw handheld shower onto the other end of the hose.
6. Rest the handheld shower in the cradle.

### Cleaning Instructions:

To preserve the fine finish of this product, clean only with a soft damp cloth. Dry well. Do not use commercial or abrasive cleaners.

Stock Number: \_\_\_\_\_ Hand Held Shower  
By Moen Incorporated

 **MOEN**  
Buy it for looks. Buy it for life.®

25300 AL MOEN DRIVE • NORTH OLMSTED, OH 44070  
CORPORATE HEADQUARTERS: (800) 321-8809 • FAX: (800) 848-6636  
INTERNATIONAL: (440) 962-2000 • FAX: (440) 962-2726  
CUSTOMER SERVICE (USA): 800-882-0116 • FAX: (888) 379-2720  
WWW.MOEN.COM  
© 2017 Moen Incorporated. All rights reserved.