

Home Care Technical Specification

Elevated Toilet Seat

DN7070

Stock Numbers:

- q **DN7070 – Elevated Toilet Seat**
White molded seat designed to be easily removable from bracket without using any tools while keeping existing seat cover useable after removal.

Add-On Items Include:
DN7085 – Large Basket
DN7095 – Handles

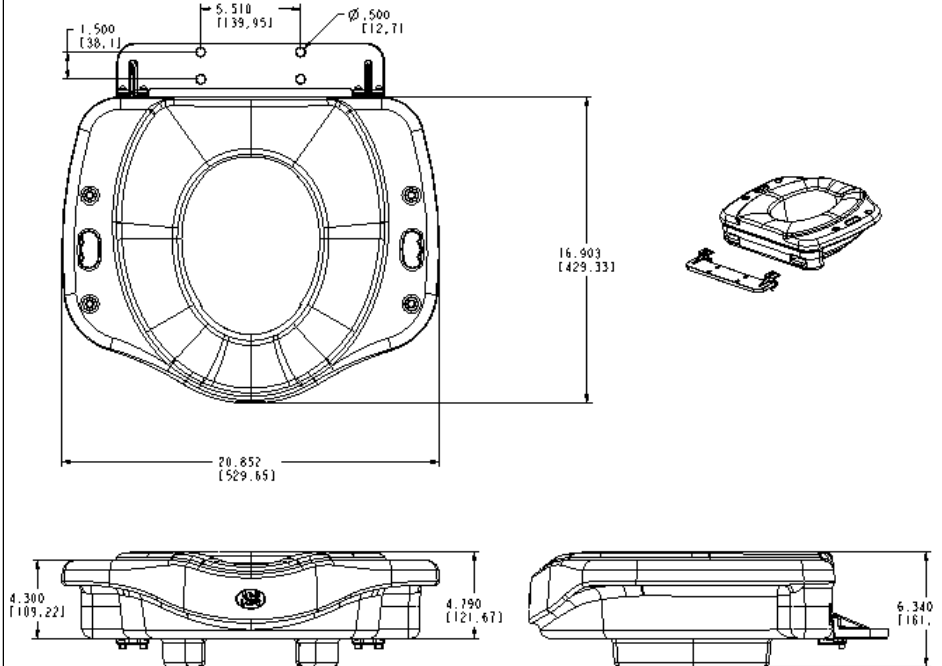
Materials:

ASSEMBLY TESTED
TO CONFIRM ADA
COMPLIANCE



Elevated Toilet Seat is made from high-density polyethylene. Bracket is made from polypropylene. Nuts and bolts are nylon.

Dimensions:



Installation Instructions:

Assembly diagram included in package.

Stock Number: _____ **Elevated Toilet Seat**
By Creative Specialties



25300 AL MOEN DRIVE • NORTH OLMSTED, OH 44070
CORPORATE HEADQUARTERS: (800) 321-8809 • FAX: (800) 848-6636
INTERNATIONAL: (440) 962-2000 • FAX: (440) 962-2726
CUSTOMER SERVICE (USA): 800-882-0116 • FAX: (888) 379-2720
©Copyright Creative Specialties International 2003