

Sage® Accessories Technical Specification

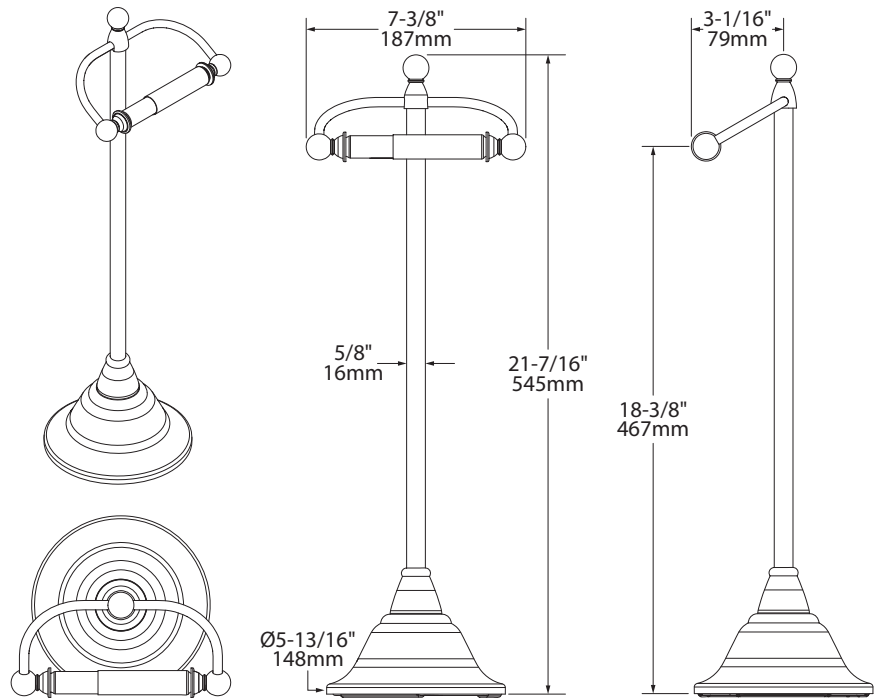
Free Standing Paper Holder

DN6850

Stock Numbers:

- **DN6850CH – Free Standing Paper Holder**
Chrome Finish
- **DN6850BN – Free Standing Paper Holder**
Brushed Nickel Finish

Dimensions:



Materials:

Free Standing Paper Holder base is blow molded plastic with a zinc cover. **Vertical bar** is brass. **Upper arm** is zinc. **CH** roller is aluminum. **BN** roller is brass.

Installation Instructions:

1. Assemble arm to vertical support by screwing together.
2. Assemble base to vertical support by screwing together.

Cleaning Instructions:

To preserve the fine finish of this product, clean only with a soft damp cloth. Dry well. Do not use commercial or abrasive cleaners.

Stock Number: _____ **Free Standing Paper Holder**
By Moen Incorporated

MOEN®

25300 AL MOEN DRIVE • NORTH OLMSTED, OH 44070
CORPORATE HEADQUARTERS: (800) 321-8809 • FAX: (800) 848-6636
INTERNATIONAL: (440) 962-2000 • FAX: (440) 962-2726
CUSTOMER SERVICE (USA): 800-882-0116 • FAX: (888) 379-2720
WWW.MOEN.COM
© 2019 Moen Incorporated