

# Modern Technical Specification

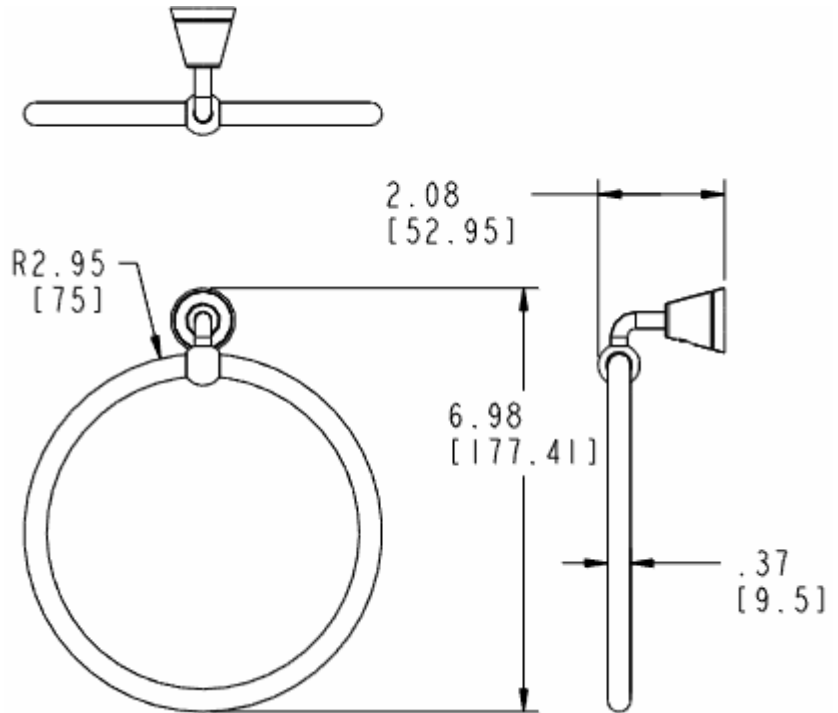
## Towel Ring

# DN6686

### Stock Numbers:

- q **DN6686CHG – Towel Ring**  
Chrome Finish  
Green Tinted Clear Acrylic Disc  
Concealed Screw Mounting

### Dimensions:



### Materials:

**Towel Ring** base is die cast from the highest quality zinc alloy (zamac). Ring is aluminum. Both are triple plated in a polished chrome finish. Base ring is clear tinted acrylic.

### Installation Instructions:

1. Position unit on wall in desired location.
2. Lightly mark the outline of the base of the unit.
3. Remove mounting cone from the unit by loosening the set screw.
4. Attach cone to wall using 1 ¼" screws (provided), with the set screw pointing down.
5. Insert end of unit into mounting cone and tighten set screw.

Note: Wood blocking is preferable behind all wall surfaces.

If wood blocking is not available, the following optional fasteners are suggested: Tile/Masonry – Plastic or Lead Anchors; Plaster/Drywall – Toggle Bolts

### Cleaning Instructions:

To preserve the fine finish of this product, clean only with a soft damp cloth. Dry well. Do not use commercial or abrasive cleaners.

**Stock Number:** \_\_\_\_\_ **Towel Ring**  
By CSI Bath Furnishings



25300 AL MOEN DRIVE • NORTH OLMSTED, OH 44070 (800) 321-8809 •  
FAX: (800) 848-6636 • INTERNATIONAL: (440) 962-2000 •

FAX: (440) 962-2726 CUSTOMER SERVICE (USA): 800-882-0116

©Copyright CSI Bath Furnishing Division of Moen 02/22/01

Literature #BA1031