

# Recessed Fixtures Technical Specification

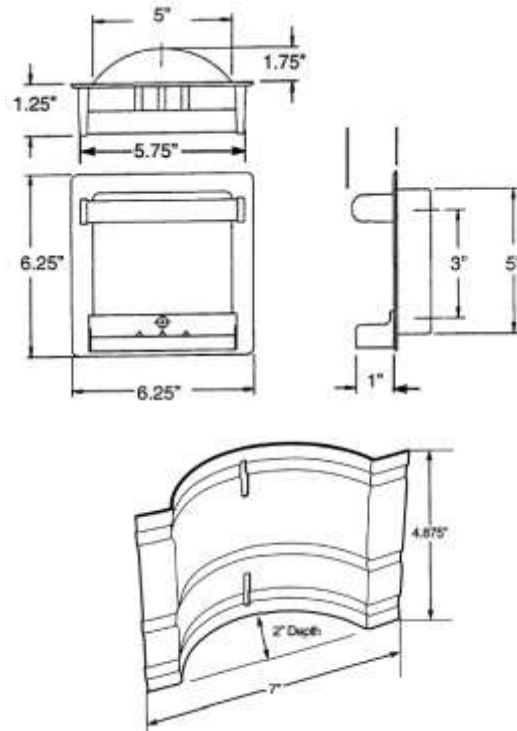
## Soap Holder & Utility Bar w/ Clamp

# DN5065

### Stock Numbers:

- DN5065 – Soap Holder & Utility Bar w/ Clamp
- DN5065W – Soap Holder & Utility Bar w/ Clamp  
Glacier Finish

### Dimensions:



### Materials:

**Recessed Soap Holders** are die cast from highest quality zinc alloy (zamac), with a triple plated polished chrome finish. Removable soap trays are clear plastic. **Installation C-Clamp** is stamped from type 304 steel.

### Installation Instructions:

1. Cut a square hole into wall measuring 5 1/4" x 5 1/4".
2. Loosely attach both screws through the recess item into the slots on the clamp.
3. Slide the wall clamp through the wall opening angling it through the opening if necessary.
4. Position the recess item until flush with the wall and tighten both screws.

### Cleaning Instructions:

To preserve the fine finish of this product, clean only with a soft damp cloth. Dry well. Do not use commercial or abrasive cleaners.

**Stock Number:** \_\_\_\_\_ Soap Holder & Utility Bar w/ Clamp By Creative Specialties



25300 AL MOEN DRIVE • NORTH OLMSTED, OH 44070  
CORPORATE HEADQUARTERS: (800) 321-8809 • FAX: (800) 848-6636  
INTERNATIONAL: (440) 962-2000 • FAX: (440) 962-2726  
CUSTOMER SERVICE (USA): 800-882-0116 • FAX: (888) 379-2720  
WWW.MOEN.COM

©Copyright Creative Specialties International

Literature #BA1698