

Avery Technical Specification

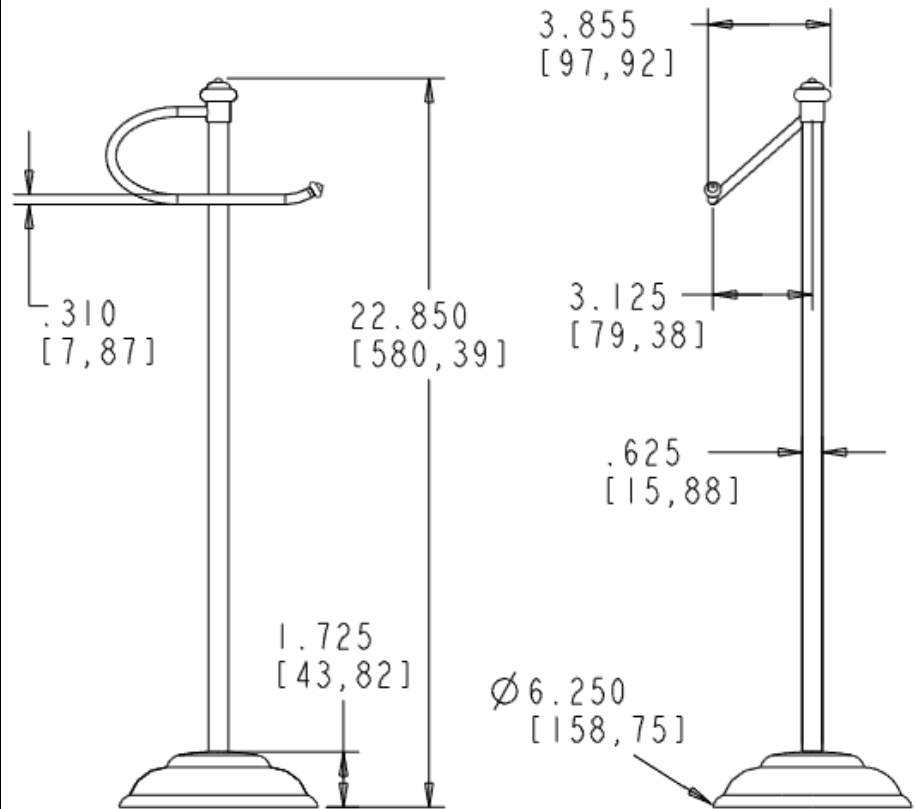
Free Standing Paper Holder

DN3150

Stock Numbers:

- q **DN3150CH – Free Standing Paper Holder**
Chrome Finish
- q **DN3150BN – Free Standing Paper Holder**
Brushed Nickel Finish

Dimensions:



Materials:

Free Standing Paper Holder base is blow molded plastic with a zinc cover. Vertical bar is brass. Upper arm is zinc. **CH** roller is aluminum. **BN** roller is brass.

Installation Instructions:

1. Assemble arm to vertical support by screwing together.
2. Assemble base to vertical support by screwing together.

Cleaning Instructions:

To preserve the fine finish of this product, clean only with a soft damp cloth. Dry well. Do not use commercial or abrasive cleaners.

Stock Number: _____ **Free Standing Paper Holder**
By CSI Bath Furnishings

