

Technical Specification

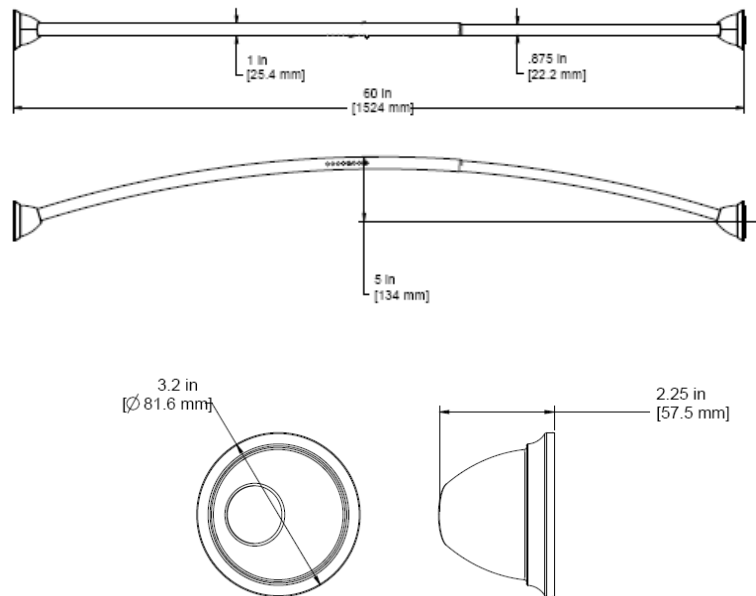
Tension Curved Shower Rod

DN2170

Stock Numbers:

- ❑ **DN2170BN – Tension Curved Shower Rod**
Brushed Nickel Finish
Adjusts to fit shower enclosures between 57”-60”
- ❑ **DN2170CH – Tension Curved Shower Rod**
Chrome Finish
Adjusts to fit shower enclosures between 57”-60”
- ❑ **DN2170OWB – Tension Curved Shower Rod**
Old World Bronze Finish
Adjusts to fit shower enclosures between 57”-60”

Dimensions:



Materials:

Tension Curved Shower **Rods** are made of 430 Stainless Steel. The **decorative covers** are made of 304 Stainless Steel. The **thread and nut** are made of aluminum. The **nut tool** is made of POM Plastic. The **flange** is made of POM Plastic and NBR Rubber.

Installation Instructions:

1. Position shower rod with the eight (8) holes in the center of the rod facing downward.
2. Grip the rod with two hands, one hand on both sides of the rod, on either side of the plastic seam.
3. Extend the rod until the button pops out of the 1st hole.
4. Push button in and extend the rod to the next hole.
5. Repeat Step 4, extending the rod as far as necessary until the brackets are close/flush with the wall.
6. To add tension to the rod, use the plastic wheel to turn the nut counter clockwise. The nut will adjust out for a maximum of 3/4” to add tension.
Note: Plastic wheel needs to be on the nut to turn and create tension.
7. Push the plastic wheel off the nut and onto the thread.
8. Align and snap the covers over the brackets on both ends of the rod.

Cleaning Instructions:

To preserve the fine finish of this product, clean only with a soft damp cloth. Dry well. Do not use commercial or abrasive cleaners.

Stock Number: _____ **Shower Rod**
By Creative Specialties



25300 AL MOEN DRIVE • NORTH OLMSTED, OH 44070
CORPORATE HEADQUARTERS: (800) 321-8809 • FAX: (800) 848-6636
INTERNATIONAL: (440) 962-2000 • FAX: (440) 962-2726
CUSTOMER SERVICE (USA): 800-882-0116 • FAX: (888) 379-2720
WWW.CSI.MOEN.COM

©Copyright Creative Specialties International

Literature # BA1714