

Technical Specification

Adjustable Curved Shower Rod DN2161

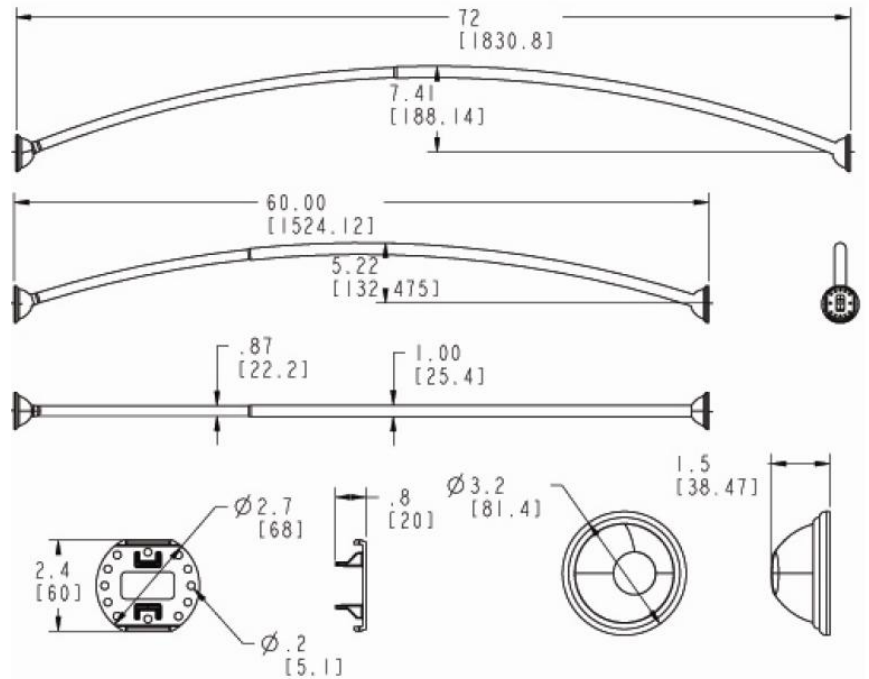
Stock Numbers:

- ❑ DN2161BN – 5'-6' Adjustable Curved Shower Rod
Brushed Nickel Finish
- ❑ DN2161CH – 5'-6' Adjustable Curved Shower Rod
Chrome Finish
- ❑ DN2161OWB – 5'-6' Adjustable Curved Shower Rod
Old World Bronze Finish
- ❑ DN2161W – 5'-6' Adjustable Curved Shower Rod
White Finish

Materials:

Adjustable Curved Shower Rod is made of #430 Stainless Steel. **Decorative covers** are made from #304 Stainless Steel. **Pivoting Mounting Posts** are made from POM. The **screw** in the pivoting post assembly is made from stainless steel. **Rod connector** is made from Polypropylene.

Dimensions:



Stock Number: _____ Double
Curved Shower Rod By Creative Specialties



25300 AL MOEN DRIVE • NORTH OLMSDED, OH 44070
CORPORATE HEADQUARTERS: (800) 321-8809 • FAX: (800) 848-6636
INTERNATIONAL: (440) 962-2000 • FAX: (440) 962-2726
CUSTOMER SERVICE (USA): 800-882-0116 • FAX: (888) 379-2720
WWW.CSI.MOEN.COM

©Copyright Creative Specialties International

Literature # 1527