

Technical Specification

Adjustable-Length Curved Shower Rod

DN2132

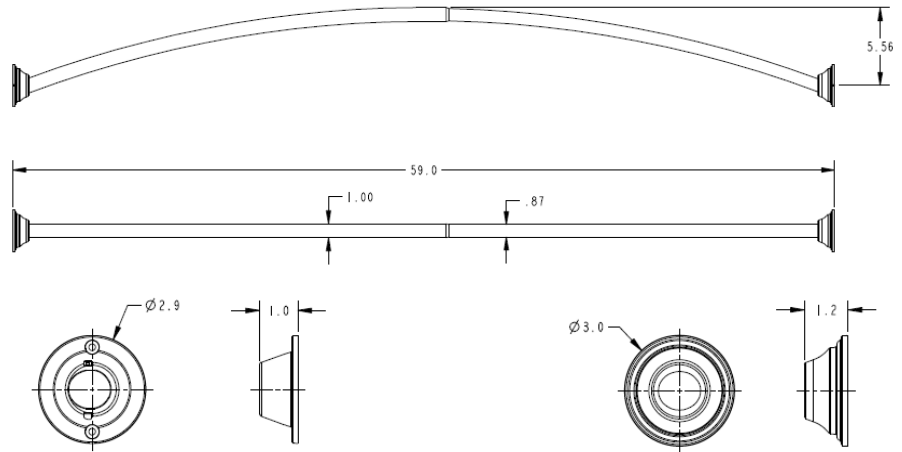
Stock Numbers:

- ❑ **DN2132BN – Adjustable-Length Curved Shower Rod**
Brushed Nickel Finish
Adjusts to fit shower enclosures between 57 and 60 inches
- ❑ **DN2132CH – Adjustable-Length Curved Shower Rod**
Chrome Finish
Adjusts to fit shower enclosures between 57 and 60 inches
- ❑ **DN2132SB – Adjustable-Length Curved Shower Rod**
Statuary Bronze Finish
Adjusts to fit shower enclosures between 57 and 60 inches

Materials:

Curved Shower Rods are made of #430 Stainless Steel. **Decorative covers** are stamped from #304 Stainless Steel. **Rod connectors** are made from Polyethylene. **Mounting Flange** is made of POM.

Dimensions:



Cleaning Instructions:

To preserve the fine finish of this product, clean only with a soft damp cloth. Dry well. Do not use commercial or abrasive cleaners.

Stock Number: _____ **Adjustable-**
Length Curved Shower Rod By Creative Specialties



25300 AL MOEN DRIVE • NORTH OLMDSTED, OH 44070
CORPORATE HEADQUARTERS: (800) 321-8809 • FAX: (800) 848-6636
INTERNATIONAL: (440) 962-2000 • FAX: (440) 962-2726
CUSTOMER SERVICE (USA): 800-882-0116 • FAX: (888) 379-2720
WWW.CSI.MOEN.COM

©Copyright Creative Specialties International

Literature # 1531