

Emery™ Technical Specification

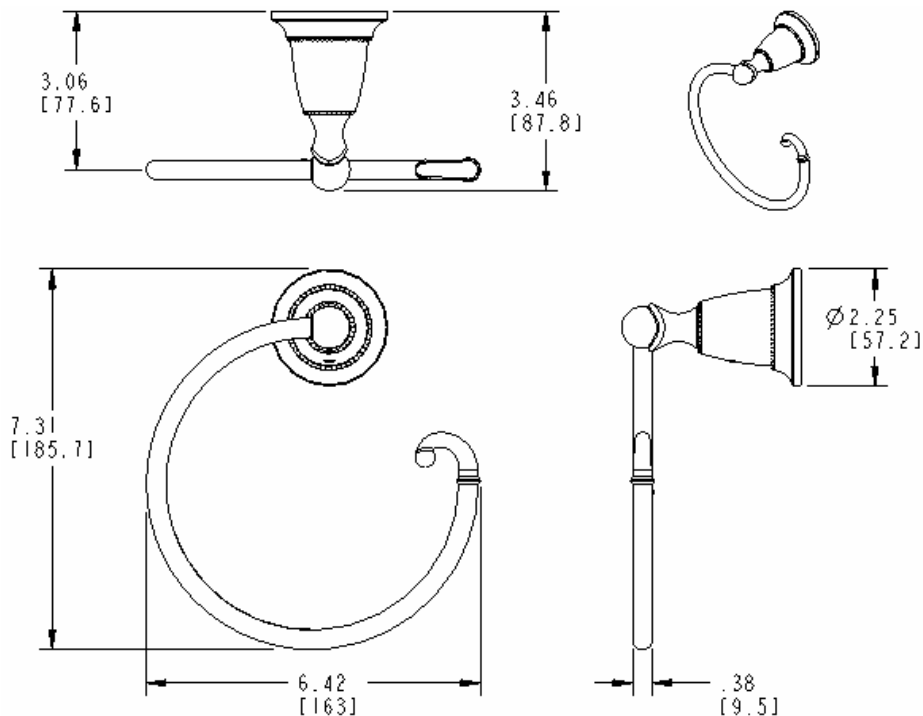
Towel Ring

DN1286

Stock Numbers:

- q DN1286AN – Towel Ring
Antique Nickel Finish

Dimensions:



Materials:

Towel Ring post and end cap are constructed of zinc. Ring is constructed of brass.

Installation Instructions:

1. Remove the mounting post from the body by loosening the setscrew.
2. Position the mounting post on the wall at desired location with notch facing down.
3. One at a time, place each anchor screw through the mounting post, centered in the large hole. Using a Phillips screwdriver, turn the anchor screw while applying pressure. Screw will self drill and tap into drywall. Do not over tighten.
4. Place assembly over the mounting post, setscrew facing down.
5. Tighten setscrew.

Cleaning Instructions:

To preserve the fine finish of this product, clean only with a soft damp cloth. Dry well. Do not use commercial or abrasive cleaners.

Stock Number: _____ Towel Ring
By Creative Specialties