

# Emery™ Technical Specification

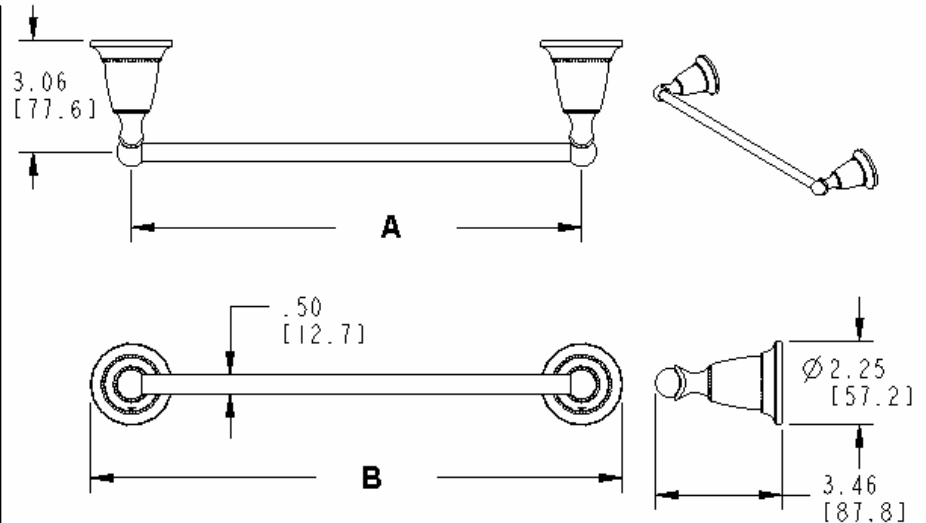
## 18" & 24" Towel Bar

## DN1218 & DN1224

### Stock Numbers:

- q **DN1218AN – 18" Towel Bar**  
Antique Nickel Finish
- q **DN1224AN – 24" Towel Bar**  
Antique Nickel Finish

### Dimensions:



|        | 18"   | 24"   |
|--------|-------|-------|
| Dim. A | 18.00 | 24.00 |
| Dim. B | 20.25 | 26.25 |

### Materials:

Towel bar posts are constructed of zinc. Bar is constructed of brass.

### Installation Instructions:

1. Position the mounting template on the wall in the desired location. Using a level, align the template and tape it to the wall.
2. Remove each mounting post from the body by loosening the setscrew.
3. Place each mounting post on the template with notch facing down.
4. One at a time, place each anchor screw through the mounting post, centered in the large hole. Using a Phillips screwdriver, turn the anchor screw while applying pressure. Screw will self drill and tap into drywall.
5. Only insert screw  $\frac{1}{2}$  to  $\frac{3}{4}$  of the way.
6. After all screws are installed, tear the template away from the wall.
7. Tighten all 4 the screws. Do not over tighten.
8. Assemble the Towel bar and posts.
9. While assembled, position each end post with the setscrew down and place over mounting posts. Tighten the setscrew at the bottom of each base.

### Cleaning Instructions:

To preserve the fine finish of this product, clean only with a soft damp cloth. Dry well. Do not use commercial or abrasive cleaners.

**Stock Number:** \_\_\_\_\_ **Towel Bar**  
By Creative Specialties



25300 AL MOEN DRIVE • NORTH OLMS TED, OH 44070  
CORPORATE HEADQUARTERS: (800) 321-8809 • FAX: (800) 848-6636  
INTERNATIONAL: (440) 962-2000 • FAX: (440) 962-2726  
CUSTOMER SERVICE (USA): 800-882-0116 • FAX: (888) 379-2720  
WWW.CSI.MOEN.COM

©Copyright Creative Specialties International 2006

Literature #BA1163