

# Iso™ Technical Specification

## 18" & 24" Towel Bars

## DN0718-DN0724

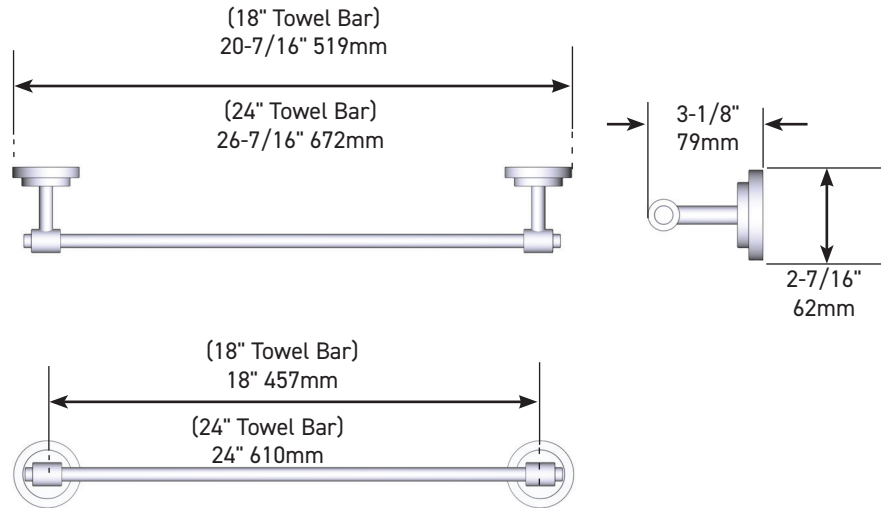
### Stock Numbers:

- **DN0718CH – 18" Towel Bar**  
Chrome Finish
- **DN0718BN – 18" Towel Bar**  
Brushed Nickel Finish
- **DN0718BL – 18" Towel Bar**  
Matte Black Finish
  
- **DN0724CH – 24" Towel Bar**  
Chrome Finish
- **DN0718BN – 24" Towel Bar**  
Brushed Nickel Finish
- **DN0718BL – 24" Towel Bar**  
Matte Black Finish

### Materials:

**Towel Bar** posts are constructed of zinc. Bar is aluminum.

### Dimensions:



### Installation Instructions:

Directions below are for installation into drywall. If installing product into a stud, use the wood screws and washers provided only.

1. Position the mounting template on the wall in the desired location.
2. Using a level, align the template and tape it to the wall.
3. Drill two 5/16" holes as indicated on the template.
4. Remove the template from the wall.
5. Fold ends of the plastic toggle together and insert into each hole in the wall.
6. Lightly tap anchors until flush with the wall.
7. One at a time, insert plastic into each of the anchors and lightly tap to activate anchor. Remove pin and repeat on all anchors.
8. Remove mounting posts from the product assemblies by loosening each setscrew.
9. Place the mounting plate on the wall over the installed wall anchors with "UP" facing you.
10. Insert screws through the mounting plate into the anchors. Tighten the screws.
11. Place each assembly over the mounting posts with the setscrews facing down. Pivoting posts with bar should be on the left side. Tighten both setscrews.

### Cleaning Instructions:

To preserve the fine finish of this product, clean only with a soft damp cloth. Dry well. Do not use commercial or abrasive cleaners.

Stock Number: \_\_\_\_\_ Towel Bar  
By Moen Incorporated

# MOEN®

25300 AL MOEN DRIVE • NORTH OLMSTED, OH 44070  
CORPORATE HEADQUARTERS: (800) 321-8809 • FAX: (800) 848-6636  
INTERNATIONAL: (440) 962-2000 • FAX: (440) 962-2726  
CUSTOMER SERVICE (USA): 800-882-0116 • FAX: (888) 379-2720  
WWW.MOEN.COM

© 2023 Moen Incorporated. Moen is a registered trademark and Iso is a trademark of Moen Incorporated. All rights reserved.