

**DESCRIPTION**

- Metal construction with various finishes identified by suffix
- 1/2" IPS connections will accept standard ball nose connection for 3/8" tubing
- Optional hot and cold temperature indicators available
- Hydrolock™ quick connect installation
- Includes metal pop-up waste assembly
- Designed to be installed through 3, 1-1/8" dia. holes

**OPERATION**

- Lever style handles
- Maximum handle rotation angle is 90° to full on for either handle
- Rotate hot side handle counterclockwise to open and clockwise to close
- Rotate cold side handle clockwise to open and counterclockwise to close

**FLOW**

- Flow is limited to 1.5 gpm max (5.7 L/min) at 60 psi, for products made before October 2008 flow is limited to 2.2 gpm max. (8.3 L/min)

**CARTRIDGE**

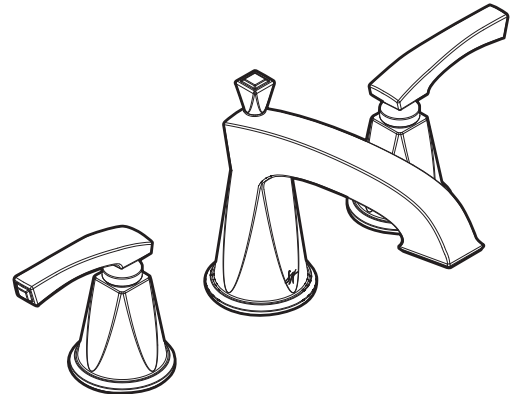
- 1224 cartridge design with nonmetallic/nonferrous and stainless steel materials

**STANDARDS**

- Third party certified to WaterSense®, ASME A112.18.1/CSA B-125.1 and all applicable requirements referenced therein including NSF61/9
- Contains no more than 0.25% weighted average lead content
- Complies with California Proposition 65 and with the Federal Safe Drinking Water Act
- ADA ♿ for lever handles

**WARRANTY**

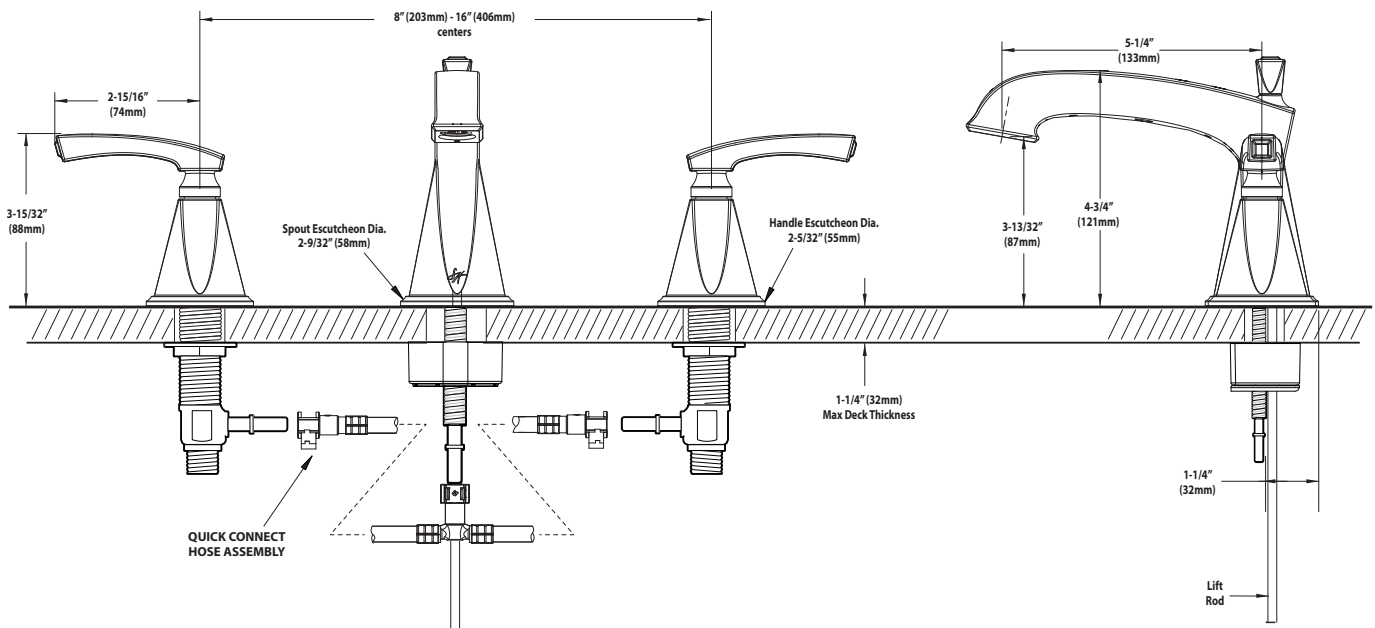
- Lifetime limited warranty against leaks, drips and finish defects to the original consumer purchaser
- 5 year warranty if used in commercial installations



**DIVINE™**  
**Two-Handle Widespread**  
**Lavatory Faucet Trim**

Models: CATS458 series

Valve: CAS948



**NOTE:** FOR DECK THICKNESS 1-3/8" - 3", USE SERVICE KIT #115001. VALVES INSTALL THROUGH 1-1/4" DIA. HOLE



**CRITICAL DIMENSIONS**

(DO NOT SCALE)