

FAUCET DESCRIPTION

- Chrome plated metal construction
- Brass or copper waterways
- 1/2" IPS shanks
- Supplied with vandal resistant screws

OPERATION

- Lever style handles with hot and cold color indicators
- Hot side counterclockwise To open (clockwise to close)
- Cold side clockwise to open (counterclockwise to close)

FLOW


- Aerator is limited to 2.2 gpm max (8.3 L/min)

CARTRIDGE

- 1224 cartridge design
- Nonmetallic and stainless steel material

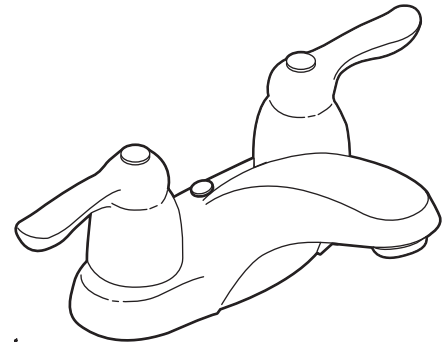
STANDARDS

- Third party certified to: ASME A112.18.1/CSA B-125.1 and all applicable requirements referenced therein including NSF61/9
- Contains no more than 0.25% weighted average lead content
- Complies with California Proposition 65 and with the Federal Safe Water Drinking Act

- **ADA**  for lever handles

WARRANTY

- Warranted for 5 years against material or manufacturing defects



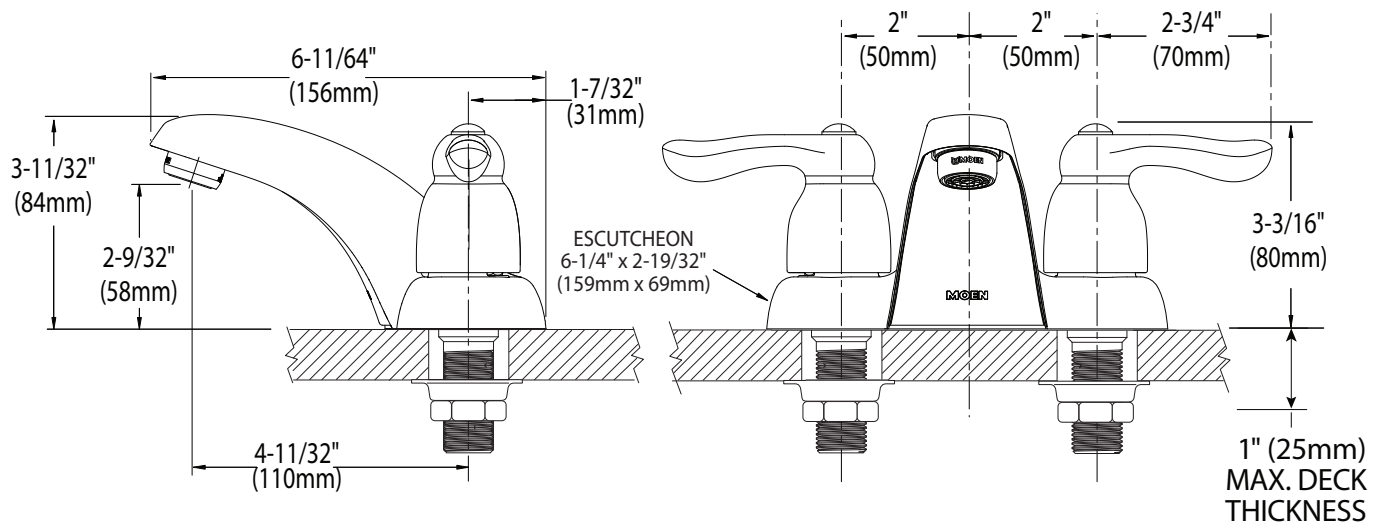
Two-Handle Lavatory Faucet

Less Waste
Model: CA8915

with Metal Waste Assembly
Model: CA8917



NOTE: DESIGNED TO INSTALL THROUGH
3-1" MIN. DIA. HOLES 2" ON CENTER



CRITICAL DIMENSIONS

(DO NOT SCALE)